

Integrating A/V with the Collaborative Space

Current trends in workplace design are allocating more open space for meetings and collaboration. This trend presents a challenge for routing and managing the “last meter” of cables from the infrastructure to the point-of-use. Furthermore, connectivity and power configurations that are required to help business run smoothly, change quickly as new technologies are introduced. Wiremold® Meeting Room Solutions solve all these issues with the new InteGreat™ Series of products. InteGreat™ Products are specifically designed to fit together, protecting the routing of power, communication and A/V cables from the point-of-use to the building infrastructure. The InteGreat™ Series is also designed to work with other Wiremold products, such as Wiremold OFR Series Overfloor Raceway and Wiremold Poke-Thru Devices. InteGreat™ Products organize, protect and hide “the last meter” of cabling, as well as providing ready accessibility for future technology upgrades.



InteGreat™ A/V Table Box has a stylish design that fits into any meeting space. It provides power, communication and A/V connectivity, and can be combined with InteGreat™ Cable Retractors for excellent cable management. Now with USB Charging!

FEATURES & BENEFITS

- **InteGreat™ products promote system integrity.** InteGreat™ Products are specifically designed to work together. This ensures cable organization and protection from the point-of-use to the building infrastructure. This system integrity also shortens the time needed for technology upgrades.
- **Attractive Design.** InteGreat™ table boxes have a brushed anodized finish that is available in either black or aluminum colors to match any room decor.
- **Multi-Service Integration Protection.** InteGreat™ products accept power, A/V and communication services, while keeping cords and cables neat and organized. This protects your cabling, while creating a clean, organized meeting space.
- **USB Charging.** InteGreat™ A/V Tables Boxes come standard with 2 USB-A Charging Ports, 3.1A shared.
- **Ultimate Flexibility.** InteGreat™ products are adaptable to most meeting room tables, allowing the same parts to be used regardless of table or room dimensions.
- **Easy to Maintain.** InteGreat™ products easily accept future upgrades, minimizing disruptions and down time.
- **Ease of Installation.** Simple and straight-forward, InteGreat™ products install quickly so that downtime is minimal.
- **Safety.** InteGreat™ A/V Table Boxes have gasketed receptacles that protect against spills and meet US and Canadian safety standards.
- **cETLus Listed.** InteGreat™ A/V Table Boxes are ETL listed to meet US and Canadian safety standards.



A/V Table Box



Cable Management



Transition Channel



Cable Retractors

Integrated Solutions Strategy

InteGreat™ A/V Table Boxes with InteGreat™ Cable Retractors keep cables protected and organized. Combine this with other InteGreat™ products like InteGreat™ Under Table cable Management and InteGreat™ Transition Channel. These InteGreat™ Series products were specifically designed to work and fit together, offering complete end-to-end cable management solutions.

A AVIP Device Plates – Audio video interface plates and devices mounted in InteGreat™ A/V Table Box.

B InteGreat™ A/V Table Box – Provides unique work surface solution to deliver devices access on the table surface and is fed from InteGreat™ UTCM system.

C InteGreat™ Cable Retractors – Protects and organizes cabling while keeping table surface free of excess cabling.

D InteGreat™ Under Table Cable Management – Provides clean cable management for power, communication and A/V cables on the underside of the table.

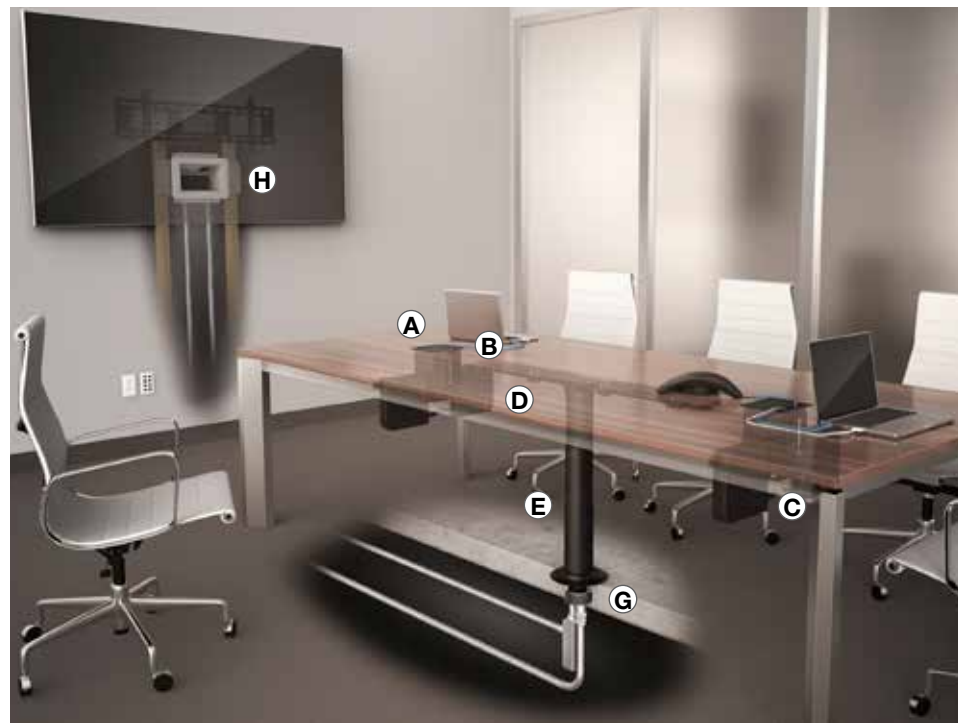
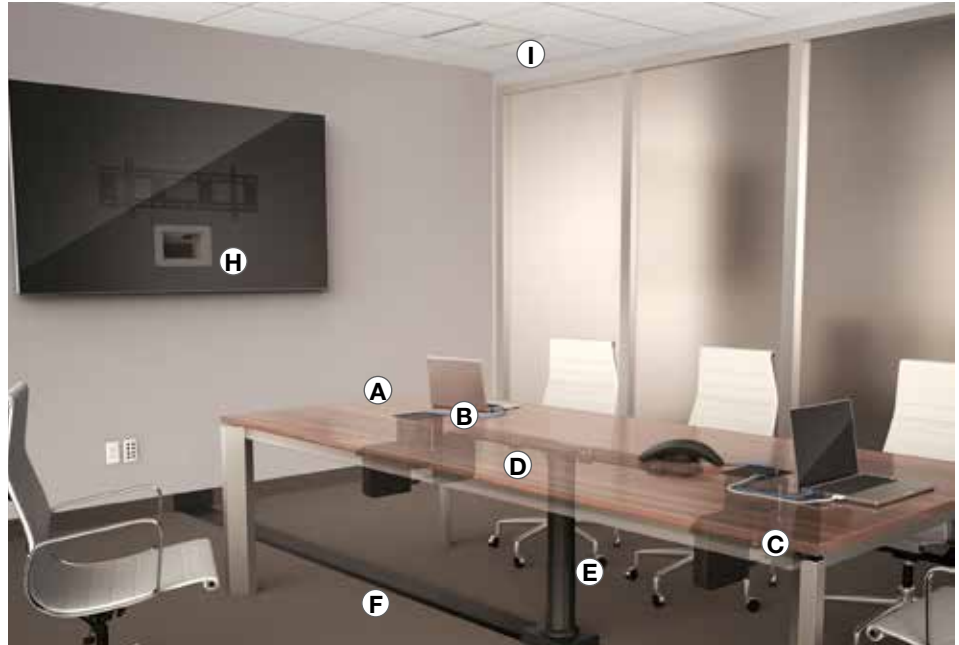
E InteGreat™ Transition Channel – Connects with Poke-Thru devices or OFR Series Overfloor Raceway to transition cables from the floor to the underside of the table.

F OFR Series Overfloor Raceway – Feeds power, communication and A/V cabling from wall to the underside of meeting table when feeding through the floor is not possible.

G Evolution™ Series Poke-Thru Device – Delivers power, communication and A/V cabling through the floor.

H Evolution™ Series A/V Wall Box – Provides power, communication and A/V services to flat screen monitors, while allowing the monitor to sit flush against the wall.

I Evolution™ Series Ceiling Box – Fully finished enclosure designed to manage and store A/V and IT equipment in an air handling plenum space above a false ceiling.



InteGreat A/V Table Boxes

InteGreat A/V table boxes are an elegant solution for extending power, communication and A/V to the meeting presenter's point-of use. InteGreat A/V table boxes provide the depth to mount devices, especially A/V devices, below the table top. It has attractive finishes that can match any room décor. Combine it with other InteGreat products, such as InteGreat Retractors, InteGreat Under Table Cable Management and InteGreat Transition Channel for a comprehensive solution to managing and delivering power, communication and A/V connectivity for conference rooms.



InteGreat A/V Table Boxes provide power, communication and A/V connectivity at the point-of-use.

CODE REFERENCE

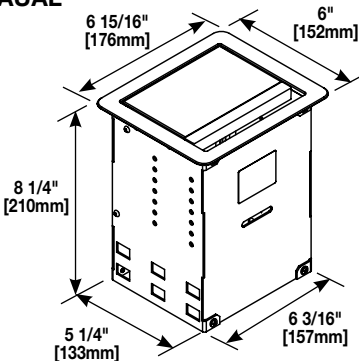
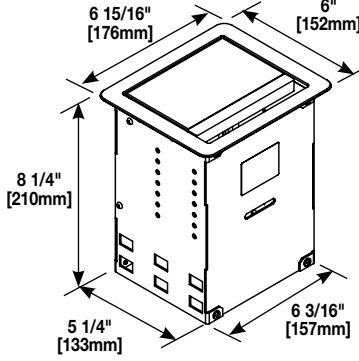
cETLus Listed Furniture Power Distribution Unit:
Listed to US & Canadian Safety Standards

InteGreat AV Table Box Part Number Configurator

T B	6 7	2	AU		B K	F
InteGreat Series:	Size:	Compartments:	Compartment 1	Compartment 2	Color:	Cord Type:
TB = Table Box	67 = 6" x 7" Flange	2 = 2 Compartments	AU= A/V PP= 2 Outlets	AU= 2 Outlets, 2 USB PP= 2 Outlets	BK = Black AL = Aluminum	= 12' Cord F = Field Wired

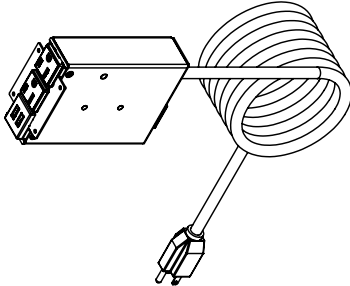
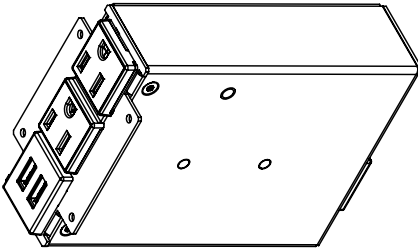
Number configurator can be used both to identify stock product configurations and also to request custom configurations from factory.

InteGreat A/V Table Boxes Ordering Information

Catalog No./Item	Description/Specifications
<p>TB672AUBK TB672AUAL</p> 	<p>A/V Table Box, Cord-Ended – Table Box with 12' [3.66m] cord. Unit comes with two (2) 15A receptacles in the recessed compartments and one 15A receptacle on the underside of the box. Includes 2 USB-A charging ports, rated 3.1A shared. Hardware bag includes Wiremold® AVIP Series Cable Kit with eight (8) openings. Can accept up to five (5) Legrand AVIP device plates or five (5) Extron® Electronics MAAP device plates. (Sold separately.) Available in black (TB672AUBK) or aluminum (TB672AUAL) finish.</p>
<p>TB672AUBKF TB672AUALF</p> 	<p>A/V Table Box, Field-Wired – Table Box Unit comes with two (2) 15A receptacles in the recessed compartments and one 15A receptacle on the underside of the box. Includes 2 USB-A charging ports, rated 3.1A shared. Hardware bag includes Wiremold® AVIP Series Cable Kit with eight (8) openings. Can accept up to five (5) Legrand AVIP device plates or five (5) Extron® Electronics MAAP device plates. (Sold separately.) Available in black (TB672AUBKF) or aluminum (TB672AUALF) finish.</p>

InteGreat A/V Table Boxes

InteGreat A/V Table Boxes Ordering Information

Catalog No./Item	Description/Specifications
TBUSBKIT TBUSBFKIT	USB Upgrade Kit – Upgrade your existing InteGreat A/V Table Box to include USB Charging. The TBUSBKIT works with TB672APBK or TB672APAL Boxes, and the TBUSBFKIT works with the TB672APBKF or TB672APALF Boxes. The USB Charger has 2 USB-A ports, 3.1A shared. Complete upgrade instructions are included.
	
TBUSBKIT	TBUSBFKIT



InteGreat A/V Table Boxes accept Wiremold AVIP Series and Extron Electronics MAAP Device Plates.



A Wiremold® AVIP Series Cable Kit is supplied with every InteGreat A/V Table Box.



Convenience receptacle on the underside of the box is ideal for powering small devices under the table.

InteGreat Cable Retractors

InteGreat Cable Retractors attach easily to InteGreat A/V Table Boxes, or can be mounted directly to the underside of conference room tables. InteGreat Cable Retractors have 5' [1.52m] of retractable cable that allows users to have easy access to A/V and communication services. With a simple pull, the cable locks into place or retracts back into the table box, keeping the conference room table neat and organized.



InteGreat Cable Retractors protect cables while keeping them neat and organized.

InteGreat Cable Retractors Ordering Information

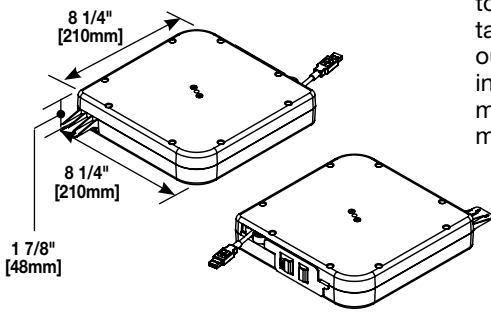
Catalog No./Item	Description/Specifications
<p>TBCRCAT6</p>	<p>Cable Retractor with Category 6 cable – Mounts directly to the InteGreat Series A/V Table Box or to the underside of the conference room table using the TBCRHMK. Loaded with 12' [3.66m] of Cat6A cable that extends out 5' [1.52m] from the retractor. Retractor has a female input from building infrastructure, and a male connector on the output side.</p>
<p>TBCRHDMI</p>	<p>Cable Retractor with High Speed HDMI with Ethernet cable – Mounts directly to the InteGreat Series A/V Table Box or to the underside of the conference room table using the TBCRHMK. Loaded with 12' [3.66m] of HDMI with Ethernet cable that extends out 5' [1.52m] from the retractor. Retractor has a female input from building infrastructure, and a male connector on the output side. Input side has mounting tab that allows installer to cable tie HDMI to the retractor to minimize chances of a loose connection.</p> <p>NOTE: Per the HDMI specification, only four HDMI type cables exist: Standard Speed, Standard Speed with Ethernet, High Speed and High Speed with Ethernet. The HDMI organization has put in place a rule that requires all HDMI cables to be marketed in this manner. Therefore you will not see our cables marketed as HDMI 2.0 cables. Keep in mind that installing a cable supporting HDMI 2.0 features does not give your existing devices with previous HDMI specifications the ability to experience 4K x 2K resolution, 3D audio return or Ethernet New A/V equipment supporting these desired features is required in order to experience the newly specified features.</p>
<p>TBCRDP</p>	<p>Cable Retractor with DisplayPort Cable – Mounts directly to the InteGreat Series A/V Table Box or to the underside of the conference room table using the TBCRHMK. Loaded with 12' [3.66m] of Displayport cable that extends out 5' [1.52m] from the retractor. Retractor has a female input from building infrastructure, and a male connector with latch on the output side.</p> <p>NOTE: Cable supports High Bit Rate (HBR) bandwidth and up to a 4K resolution. Built to DisplayPort 1.2 standards, meeting the requirements of high performance applications.</p>

InteGreat Cable Retractors Ordering Information (continued)

Catalog No./Item

Description/Specifications

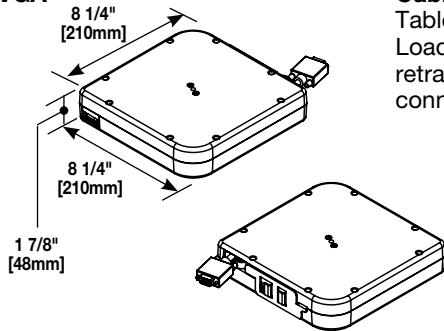
TBCRUSB



Cable Retractor with USB 2.0 Cable and Built-In Repeater – Mounts directly to the InteGreat Series A/V Table Box or to the underside of the conference room table using the TBCRHMK. Loaded with 12' [3.66m] of USB 2.0 cable that extends out 5' [1.52m] from the retractor. Retractor has a female Type A input from building infrastructure, and a male Type A connector on the output side. Input side has mounting tab that allows installer to cable tie USB connector to the retractor to minimize chances of a loose connection.

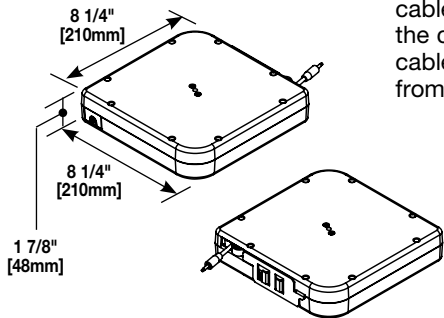
NOTE: Built in booster consumes 100mA from the USB port of the computer to extend signals beyond the 5 meter length limitation. Maximum data transfer rate of 480Mbps.

TBCRVGA



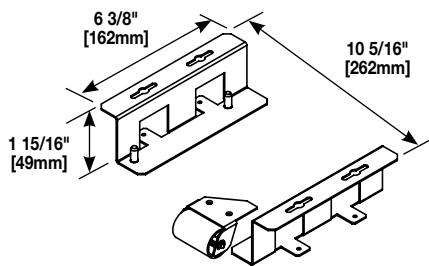
Cable Retractor with VGA cable – Mounts directly to the InteGreat Series A/V Table Box or to the underside of the conference room table using the TBCRHMK. Loaded with 12' [3.66m] of VGA VESA cable that extends out 5' [1.52m] from the retractor. Retractor has a female input from building infrastructure, and a male connector on the output side.

TBCR3.5MM



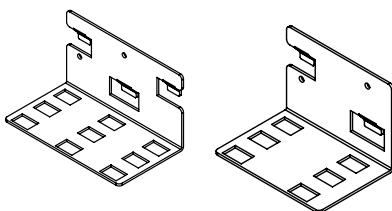
Cable Retractor with 3.5mm Audio cable – Cable Retractor with 3.5mm audio cable. Mounts directly to the InteGreat Series A/V Table Box or to the underside of the conference room table using the TBCRHMK. Loaded with 12' [3.66m] of audio cable that extends out 5' [1.52m] from the retractor. Retractor has a female input from building infrastructure, and a male connector on the output side.

TBCRHMK



Cable Retractor Horizontal Mounting Bracket – Allows retractor to mount horizontally under a conference room table, so cable can be accessed through a table grommet. Multiple retractors can be mounted to each other by attaching the TBCRHMK mounting brackets to each other.

TP-CR-BKT



Perpendicular Mounting Bracket for Table Boxes – Allows up to five (5) cable retractors to be mounted below the box, instead of on the sides. This allows the box and cable retractors to be mounted and hidden inside a majority of tables with barrel or pedestal legs. See diagrams below

Diagram using built in Cable Retractor Attachment on Table Box

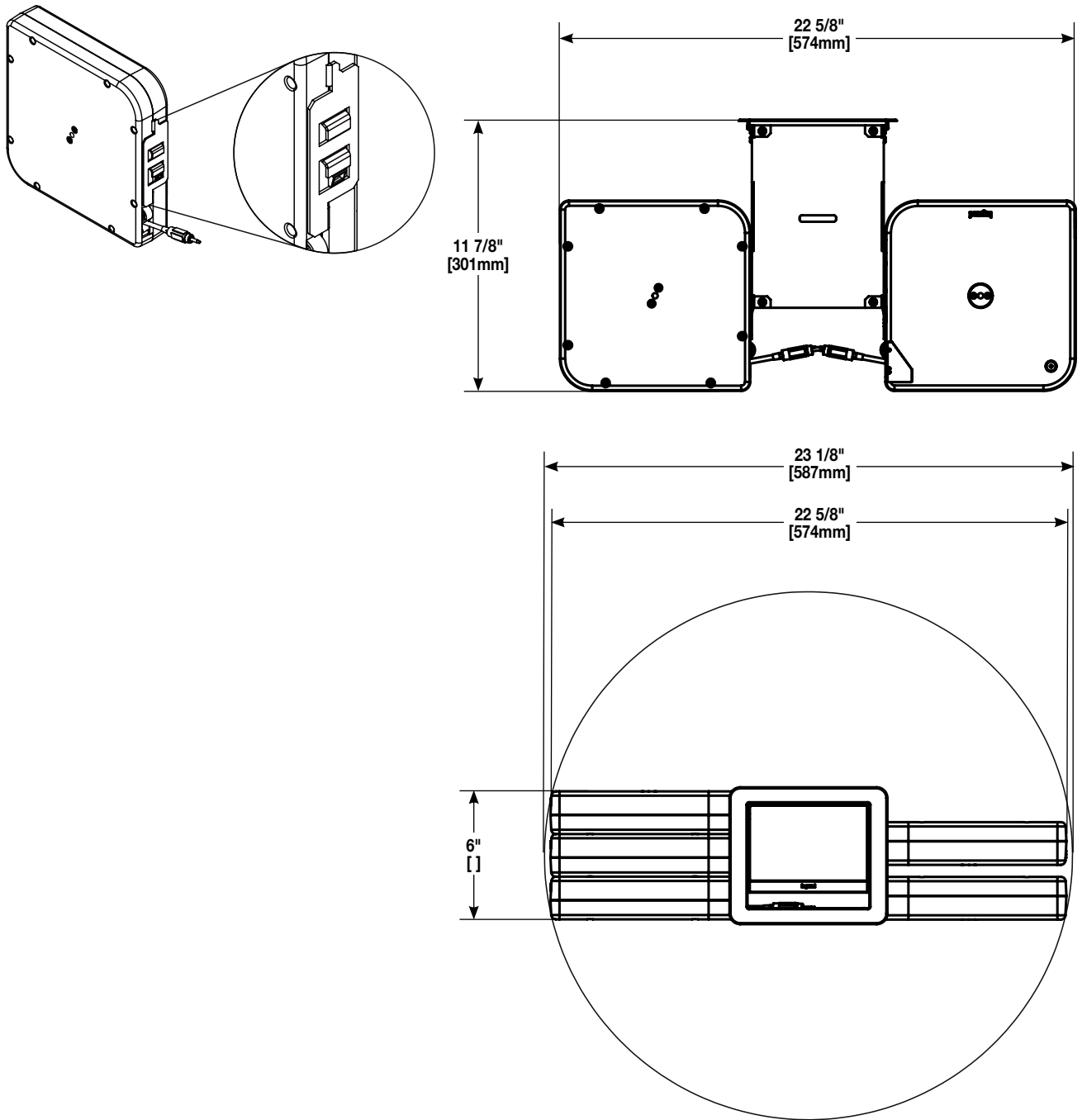
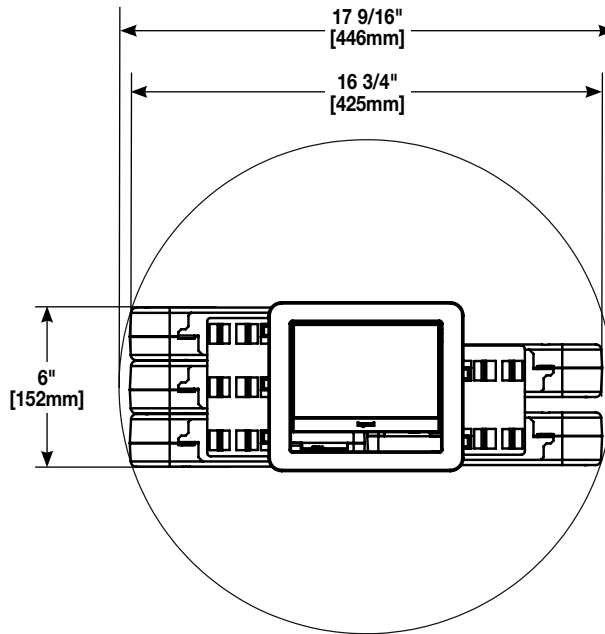
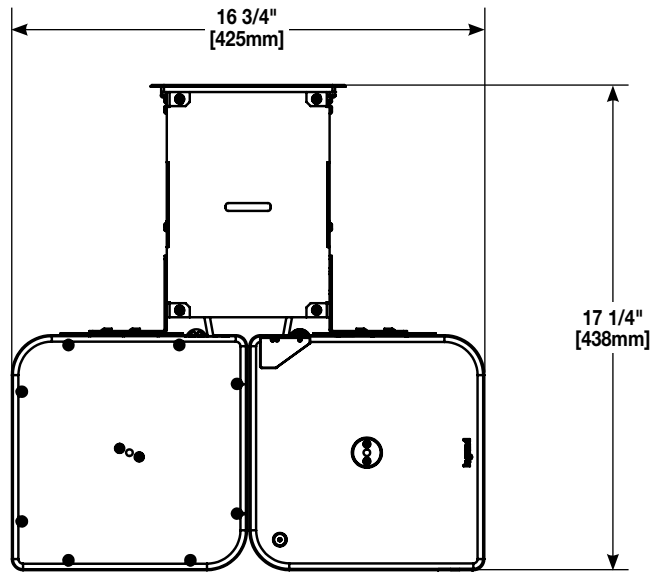


Diagram using TP-CR-BKT with Table Box



TBCRCAT6



TBCRVGA



TBCRHDMI

InteGreat Under Table Cable Management

InteGreat Under Table Cable Management provides clean cable management for power, communication and A/V cables on the horizontal underside of the table. The simple hinge mechanism allows for easy access for future technology upgrades. InteGreat Under Table Cable Management mates with the InteGreat Transition Channel for a true cable management solution.



Manage cords and cables under the table with easy to order, easy to install, easy to maintain InteGreat Cable Management.

InteGreat Cable Management Ordering Information

Catalog No./Item	Description/Specifications
<p>UTCM5</p> <p>6 13/16 [173mm]</p> <p>1 1/16 [27mm]</p>	<p>Under Table Cable Management Kit – Consists of a 5' [1.524mm] length of divided base, 5' [1.524mm] length of mounting hinge rail and four (4) latching clips. Black, nonmetallic construction.</p> <p>Base width without Rail & Clips: 5" [127mm] Base width with Rail & Clips: 6 13/16" [173mm]</p>

KIT CONTENTS:



Base



Hinge Rail



Latching Clips

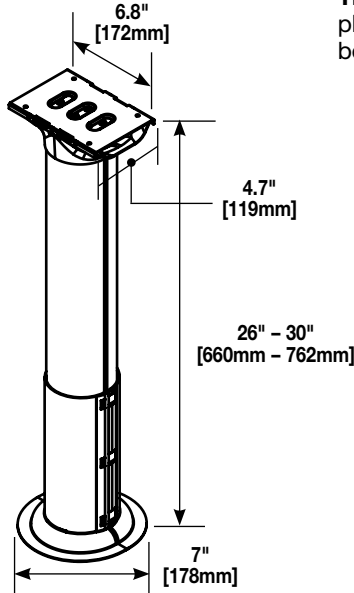
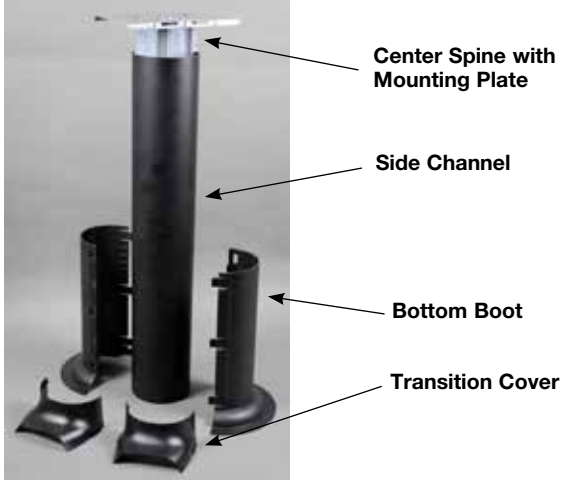
InteGreat Transition Channel

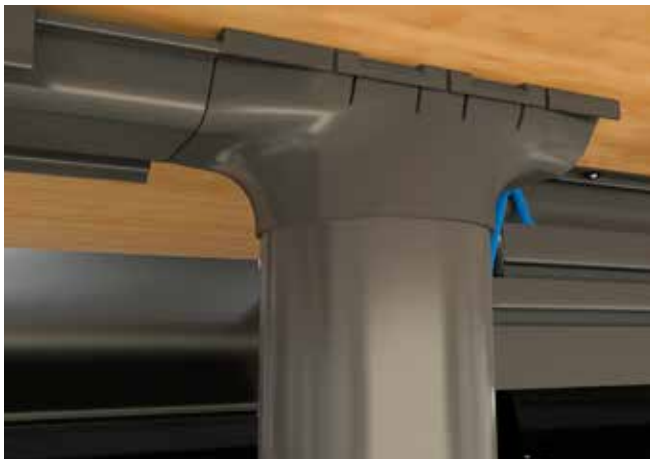
InteGreat Transition Channel continues the cable management and protection from the underside of the table to the floor, where cables can gain access to the building infrastructure. The Transition Channel fits directly into InteGreat Under Table Cable Management on the underside of the table and mates with Wiremold® Poke-Thru Devices or OFR Series Overfloor Raceway for a smooth transition to the building infrastructure.



InteGreat Transition Channel provides a protected pathway for cables to the building infrastructure. It is designed to work with Wiremold® Poke-Thru Devices and OFR Series Raceway.

InteGreat Transition Channel Ordering Information

Catalog No./Item	Description/Specifications
<p>MRTC</p> 	<p>Transition Channel Kit – Consists of aluminum center spine with steel mounting plate and four (4) screws, black aluminum side channels, black nonmetallic bottom boot and two (2) black nonmetallic transition covers.</p> 



InteGreat Transition Channel mates with InteGreat Under Table Cable Management for superior management of cords and cables.

NOTE: All brand and product names referenced in this document are registered trademarks or trademarks of their respective holders.



NOTE: The paper used to print this document is an environmentally responsible paper with 10% post consumer waste, with FSC and SFI Chain of Custody certifications, Lacey Act compliant. 100% of the electricity used to manufacture Flo sheets is generated with Green-e certified renewable energy.



Electrical Wiring Systems

60 Woodlawn Street
West Hartford, CT 06110
Phone: 1.877.BY.LEGRAND (295-3472)
www.legrand.us

Canada

Phone: 905.738.9195
www.legrand.ca

