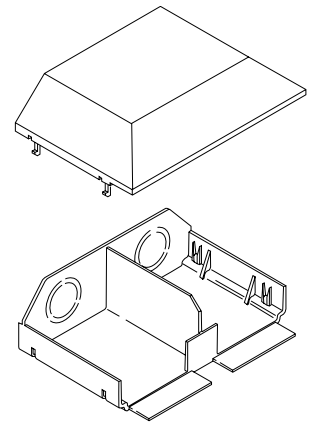


# 5010A Entrance End Fitting Installation Instructions



The Entrance End Fitting is used to provide an end feed to Access™ 5000 Raceway with 1/2" or 3/4" conduit. Installation should be as shown with side walls of the Fitting Base and Raceway Base aligned.

Access 5000 Raceway installed at baseboard level should be spaced a minimum of 1/8" above the floor level. This will facilitate the assembly/disassembly of the End Fitting Cover.

