

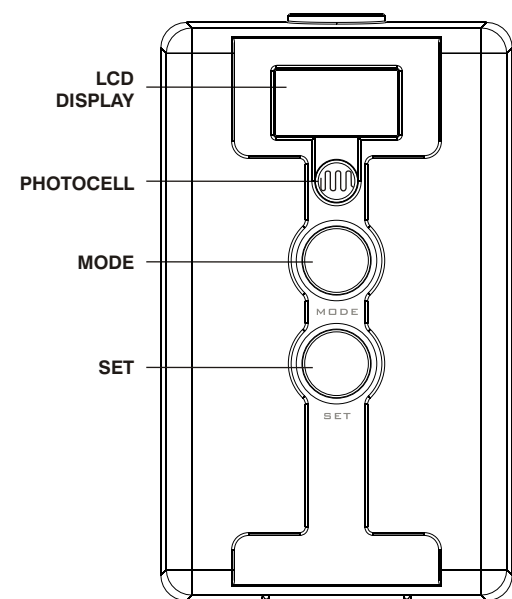
OWNER'S MANUAL

This heavy duty outdoor timer is ideal for use with security lighting, seasonal lighting, or patio/pond lighting. Please take the time to read and understand this manual to enjoy the benefits of this product.

FEATURES

- Clock display
- 1 program (daily)
- Photocell light sensor
- Dusk to dawn mode; activated by darkness
- Manual on/off override
- Heavy duty design
- Weather resistant housing
- Standard 3-prong outlet

Outdoor Dusk to Dawn Timer with one daily program DT523



1

INTRODUCTION

The DT523 is a dusk to dawn timer. This heavy duty outdoor timer is ideal for use with 2 or 3-prong plug-in devices, such as security lighting, seasonal lighting, patio lighting and other devices you would operate at night.

It can be set to operate in one of three modes:

- 1) Continuously on from Dusk till Dawn
- 2) On at night limited by a program
- 3) Manually switched on

For more information on:

Dusk to Dawn function see page 4
Setting the Clock see page 5
Programming see page 6
Manual function see page 4
Technical specifications see page 9
Warranty see page 9

ELECTRICAL SETUP

- 1) Plug the timer into a standard 120V electrical outlet, then plug your lighting (Or another device) into the timer outlet.
- 2) Ensure the device is in the "ON" position. (For example if a lamp is plugged into the timer, ensure that the lamp's on/off switch is in the "ON" position.)
- 3) Press and hold **MODE** for 3 seconds to activate the ON/OFF manual override, to test if the device is working.

Note: Ensure the load does not exceed the maximum load rating of 1800W (resistive) or 600W (tungsten).

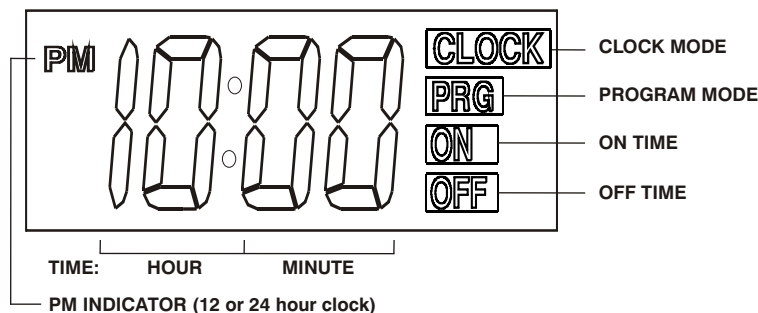
2

BUTTONS / LCD DISPLAY

Buttons / features:

- **LCD:** displays the time and program settings (1 program daily)
- **PHOTOCELL:** environmental light sensor; activates the timer in darkness (in dusk to dawn mode)
- **MODE:** changes from clock to program mode
- **SET:** confirms settings

LCD display



3

MANUAL ON/OFF (OVERRIDE)

Press and hold **MODE** for 3 seconds to manually turn the device ON or OFF. Selecting on/off manually will temporarily interrupt the dusk to dawn function.

For example, if you manually turn on the light in the middle of the day it will stay on until the first of the following occurs:

- Dawn the next day
- It encounters the programmed off time
- You manually turn it off again

DUSK TO DAWN MODE

This timer is equipped with a photocell that senses ambient light levels. In dusk to dawn mode, the timer will turn the power on when light levels drop and the unit is in darkness and will turn off the power when it is light again. This is the default setting of the timer and it will function in this mode when first plugged in.

The automatic on/off can be tested by covering up the photocell for 8 seconds to turn the power on and exposing it to the light for 8 seconds to turn it off.

Please note that in the event of a power failure or if the ON and OFF times are identical the timer will go back to operating as a dusk to dawn timer.

4

SET CLOCK

- 1) Press **SET** while the **CLOCK** icon is displayed on the LCD. (The hour will flash on the LCD display)
- 2) Press **MODE** to scroll to the correct hour.
- 3) Press **SET** (The minute will flash on the LCD display)
- 4) Press **MODE** to scroll to the correct minute.
- 5) Press **SET**

After the correct time has been selected, the SET icon will disappear, and the timer will return to normal clock display (with only the CLOCK icon displayed).

Note: To toggle between **12 hour** and **24 hour** format, wait until the time setting is complete (when no numbers are flashing, but the CLOCK icon is still visible). Then press and hold **MODE** and **SET** at the same time (for 3 seconds) to toggle between 12 and 24 hours. (The time before (12) noon looks the same in either 12 or 24 hour mode, but you will be able to see the difference if you scroll up to 1:00pm, because the number will display as 13:00 hours in 24 hour mode.) This change will affect the program times as well.

5

PROGRAMMING

By setting a program you limit the time the power can go occur between certain hours. To do this you must first set the clock and then enter the time you would like it to go on and the time you would like it to go off. The power will be turned on if it is dark and it is between the on and off time settings. The power will be turned off when the off time is reached or when it is light again (which ever comes first)

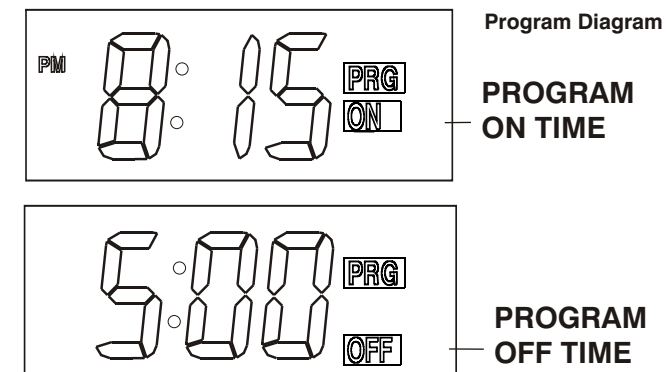
For example if you set an on time of 6 pm and an off time of 9 pm and the sun sets at 5 pm and rises at 6 am then the light will go on at 6pm and turn off at 9pm. However if you are using the same six to nine program and the sun does not set until 7:30 pm the timer will wait until dark to turn on (at 7:30 pm) and then off at 9 pm.

Please note that in the event of a power failure or if the on and off times are identical the timer will go back to operating as a dawn to dusk timer.

See the following example of program setting on pages 7 and 8.

6

PROGRAMMING: ON TIME



To learn how to set any program, use the Program Diagram as a reference:
Daily Program / ON TIME - 8:15pm / OFF TIME - 5:00am

- 1) Press **MODE** (until **PRG ON** displays)
- 2) Press **SET** to begin programming the **ON TIME** (the hour will flash)
- 3) Press **MODE** to scroll to the correct hour
- 4) Press **SET** (the minutes will flash)
- 3) Press **MODE** to scroll to the correct minute
- 4) Press **SET** (to finish the **ON TIME**)
(In the Program Diagram, the **ON TIME** is set to 8:15 pm)

7

PROGRAMMING: OFF TIME

Once the ON TIME programming is completed, you may advance to the OFF TIME. Ensure that you have confirmed all ON TIME settings (by pressing SET); check that no icons are flashing on the LCD screen:

- 1) Press **MODE** (until **PRG OFF** displays)(see Program Diagram)
- 2) Press **SET** to begin programming the **OFF TIME** (the hour will flash)
- 3) Press **MODE** to scroll to the correct hour
- 4) Press **SET** (the minutes will flash)
- 3) Press **MODE** to scroll to the correct minute
- 4) Press **SET** (to finish the off time)
(In the Program Diagram, the OFF TIME is set to 5:00 am)

To end the program mode, press **MODE** to return to the regular clock mode. If no key is pressed for 8 seconds the display will automatically return to the CLOCK display.

8

TECHNICAL SPECIFICATIONS

Ratings: 120V AC, 8A, 60 Hz
Max Load: 15A, 1800W resistive; 600W tungsten

Note: If the LCD appears blank it may indicate that the electric circuit has been disconnected. Double check that the power cords are securely attached to the timer.

Warning: For outdoor installation, mount the time at least three feet above the ground (with the receptacle plug facing down) to avoid a shock hazard.

1 YEAR WARRANTY

This product carries a one (1) year replacement warranty against defects in workmanship and materials. This product is not guaranteed against wear or breakage due to misuse and/or abuse.

If the product is defective, return it with a dated proof of purchase, to the retailer from which you purchased it.

Note: shipping and handling for returns is not included under this warranty.

Customer Service Centre
1-888-468-6876
www.upm-marketing.com

9