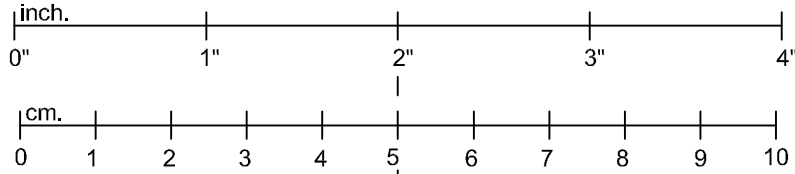


1. STOP

VERIFY ALL DIMENSIONS
TO ENSURE THAT THIS
PRINT IS 1 TO 1 SCALE.

2. MEASURE



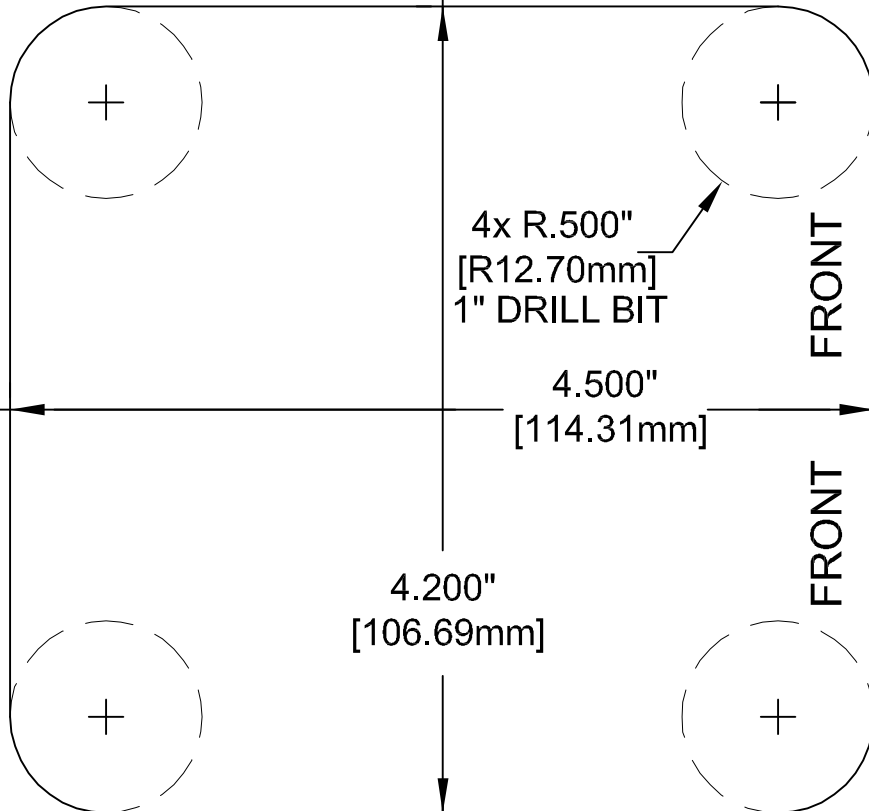
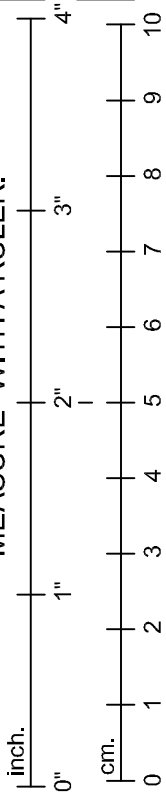
MEASURE WITH A RULER.

3. CUT

Document p/n:
250-0681-008
Page 1 of 1

THIS IS A PRECISION CUT-OUT TEMPLATE.
DO NOT SCALE OR ADJUST!

MEASURE WITH A RULER.



ALTINEX, INC. IS NOT RESPONSIBLE
FOR ANY DAMAGE TO A TABLE
OR DESK.

ALTINEX[®]

ALTINEX, INC. MODEL NUMBERS:

TNP121	TNP121S	TNP120C
TNP125	TNP125C	TNP125S
TNP128	TNP128C	TNP128S
TNP151	TNP151S	TNP150C
TNP155	TNP155S	
CNK221	CNK221C	CNK221S
CNK241	CNK241C	CNK241S
CNK261	CNK261C	CNK261S

1. STOP

2. MEASURE

3. CUT