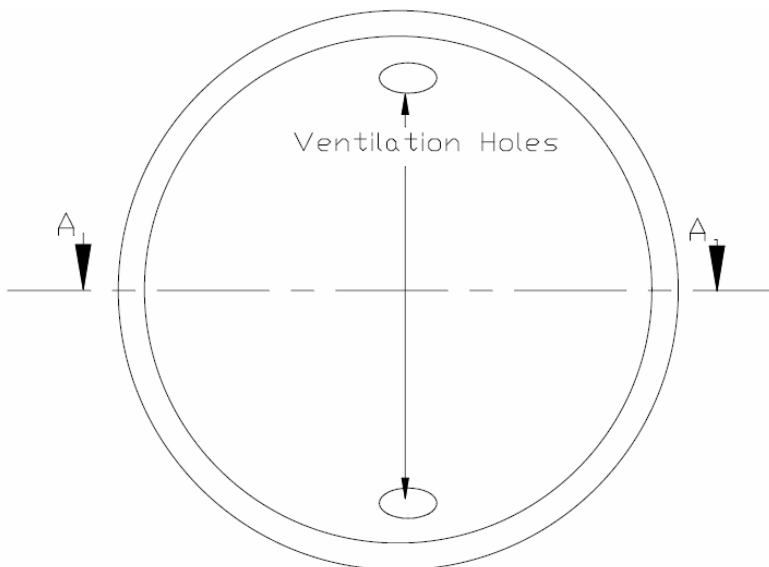
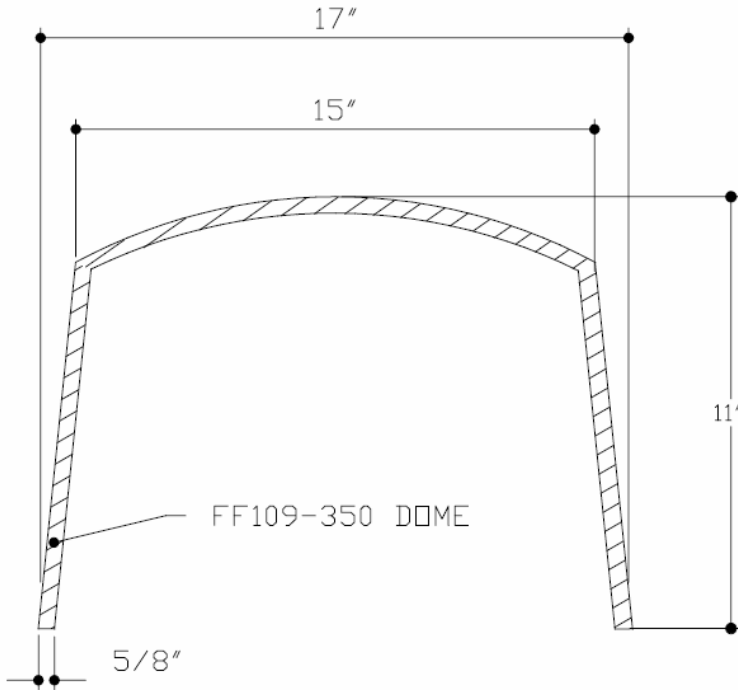


MODEL FF109-350



Model Number	Inside Height	Inside Diameter
FF109-350	10 3/8"	15"

Performance Data

For Use:

- OPL certified to maintain the fire rating (1 hour) of fire-rated floor/ceiling assemblies.



Tested to ASTM E119
 UBC 7.1
 NFPA 251
 ASI A2.1

General Information

Benefits:

- 60 minute protection.
- Fits most popular recessed light fixtures.
- Can be used in L500 floor/ceiling assemblies.
- Lightweight (approx. 2.5 lbs).
- Easy Installation - can be fitted in seconds - no screws, drilling or additional sealant required.
- Flexible material enables the cover to be fitted around obstacles or retro-fitted.
- Enhances the acoustic protection of the ceiling.
- Reduces heat loss through the fixture.
- Significant energy cost savings.
- Maintenance free.

Manufactured By

Tenmat Inc

23 Copper Drive
 Newport, DE 19804
 Phone: (302) 633-6600
 Fax: (302) 633-6838
 Email: info@tenmatusa.com
www.tenmatusa.com