

## Bring Wiring Down to Business



**D**ropping power and communications – neatly and simply – from up there to down here: that’s what Wiremold<sup>®</sup> Tele-Power Poles are all about. Their sole purpose is to get the business end of your wiring needs down to your office equipment, phones, PCs, and task lighting. Specifically, in away-from-wall locations in open commercial office areas, schools, labs, stores, and other sites.

Whatever kind of power or communications wiring you need to bring down to the desk side, workstations, or cash registers – Wiremold Tele-Power Poles handle all your needs effortlessly. For your modular office furniture – our poles easily provide the hook up to feed office partitions. The poles are available with specialized electrical circuits such as dedicated/isolated ground, and with Sentrex<sup>®</sup> surge protection modules. Without electrical power; you may devote the vertical drop poles entirely to communications and/or power feeds.



*Tele-Power Poles offer a convenient open space solution.*

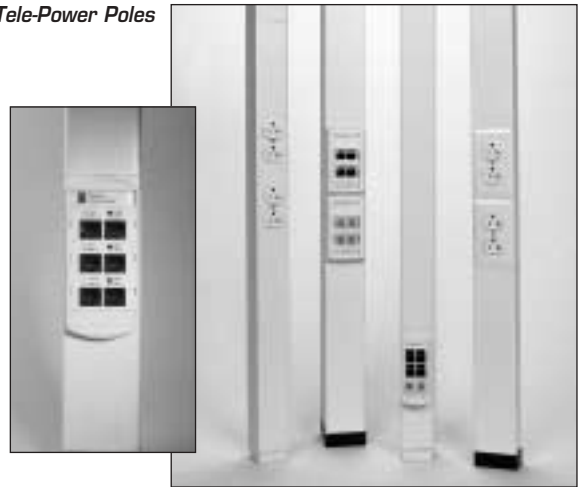
### Features & Benefits

- **Wide selection of materials, finishes, wire fill capacities, heights, and devices.** Application versatility in commercial open office landscapes, schools, labs, stores, and manufacturing plants.
- **Communication twistouts.** Allows flexibility and easy access to update wiring.
- **Relocatable.** Ready for service in 30 minutes or less.
- **Dual-channel.** Accommodates electrical power circuits plus receptacles and low voltage cabling.
- **Furnished with feed fittings, ceiling trim plates, T-bar mounting hardware, and carpet/floor grippers.** Includes all components for a complete and stationary installation.
- **Add-On compartment.** Increase cable capacity for 25DT, NP620, and AMTP Series.
- **Dedicated custom capabilities.** Modify receptacles, change enamel and powder coat paint finishes, alter pole heights, add fixture whips, and more. Consult your local Wiremold representative.
- **Datacom connectivity options.** Accepts industry standard and proprietary devices from a wide range of manufacturers to provide a seamless and aesthetically pleasing interface for voice, data, audio, and video applications at the point of use.
- **Connectivity pole.** Pole comes complete with Category 5e connections. 
- **Low voltage cabling entrance fitting.** 2" [51mm] radius control. For use with 25DT and AMDT Series. UL Listed for use in plenum areas.
- **Jumbo poles.** Our largest capacity series to accommodate tomorrow’s wire and cable requirements. 

# Steel Tele-Power Poles

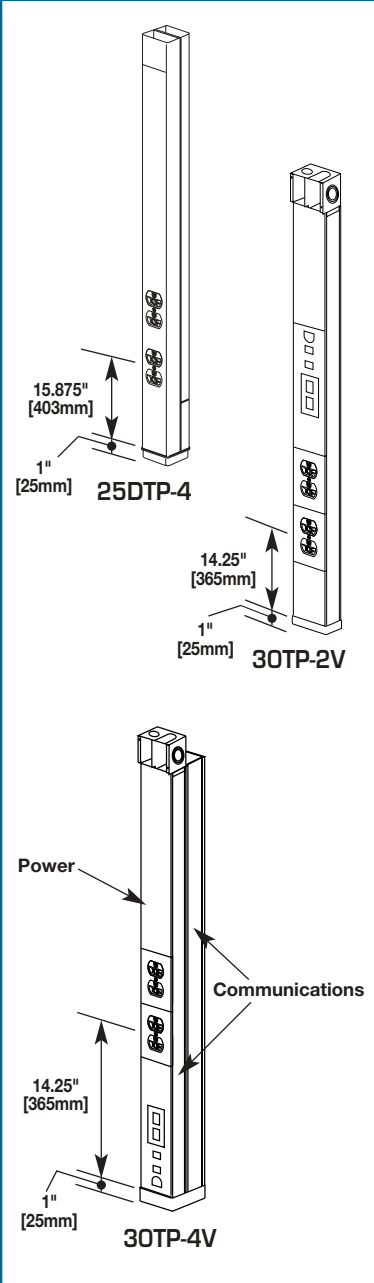
- Standard of the industry; combines good looks, economy, and easy installation with sufficient capacity for expansion.
- Ivory enamel finish with matching 20A, 120V NEMA heavy duty duplex receptacles.
- Dedicated circuit pole features separate isolated ground circuit protection.
- Dual channel poles for communication cabling and power wiring accessibility.
- Modular jack knockouts and modular furniture outlets permit direct connections or use "mouse hole" grommet for direct cable feed.

Steel Tele-Power Poles



25DTP-4ACT pole with additional inserts.

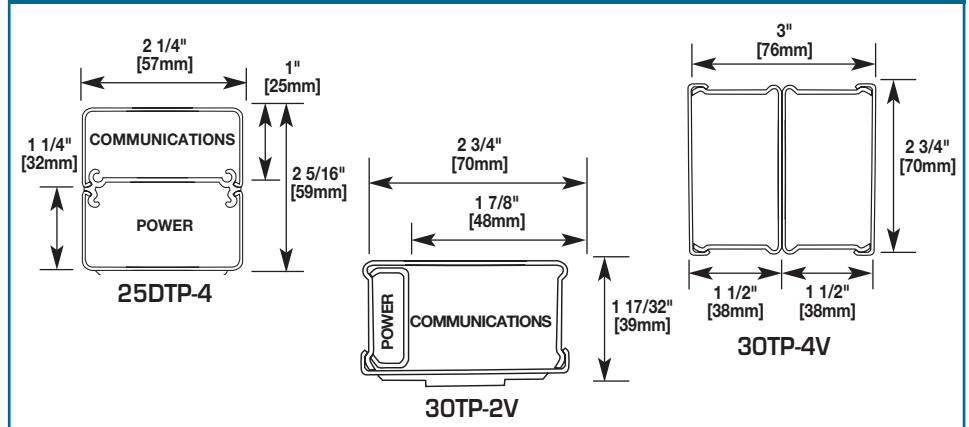
## Receptacle Heights



## Ordering Guide

| CATALOG NO.                       | OUTLETS  | HEIGHT  | FINISH | CAPACITY      |     |      |           |
|-----------------------------------|--|---|--------|---------------|-----|------|-----------|
|                                   |  |   |        | THHN/THWN #10 | #12 | 4-PR | UTP 25-PR |
| 25DTP-4<br>25DTP-412<br>25DTP-415 | Two Duplex Receptacles (20A, 125V)   | 10' 5" [3.175m]<br>12' 5" [3.780m]<br>15' 5" [4.700m] |        |               |     |      |           |
| 25DTP-4ACT                        | Two Duplex Receptacles (20A, 125V) One Communications Insert Mounting Bezel, One Dual Cat 5e Insert, Two Blank Inserts and Labeling Supplies | 10' 5" [3.175m]                                       | Ivory  | 10            | 15  | 15   | 6         |
| 25DTP-4D                          | Two Duplex Receptacles (20A, 125V) One Dedicated/ Isolated and One Standard Branch Circuit   | 10' 5" [3.175m]                                       | Ivory  | 10            | 15  | 15   | 6         |
| 30TP-2V<br>30TP-212V              | Two Duplex Receptacles (20A, 125V)   | 10' 5" [3.175m]<br>12' 5" [3.780m]                    | Ivory  | 9             | 14  | 22   | 8         |
| 30TP-4V<br>30TP-412V              |  | 10' 5" [3.175m]<br>12' 5" [3.780m]                    |        |               |     |      |           |
| 25AM10FO                          | 2" [51mm] radius control entrance fitting for 25DT and AMDT Series   |   |        |               |     |      |           |

## Cross-Sectional Areas



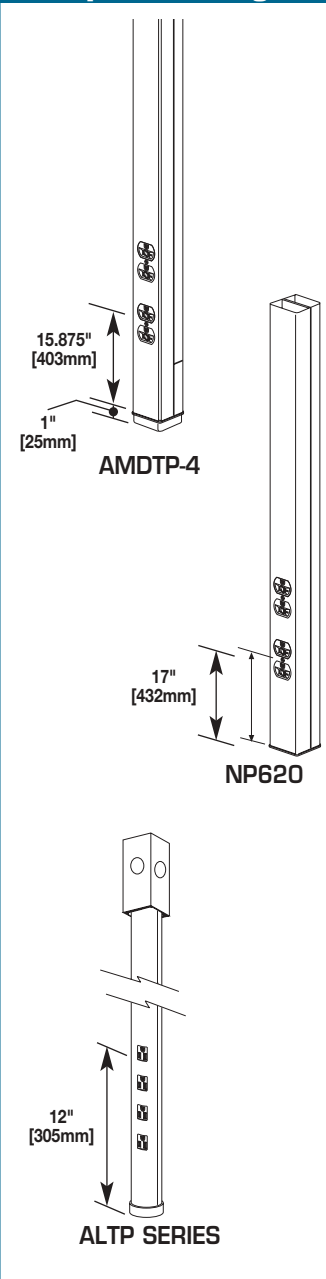
## Aluminum Tele-Power Poles

- Satin anodized aluminum poles blend neatly into just about any environment.
- Standard poles accommodate 10-, 12-, and 15-foot ceilings.
- Modified communication compartment offers a dense concentration of knockouts for modular voice/data jacks and furniture outlets, or “mouse hole” grommet for direct cable feed.
- Isolated ground protection offered in dedicated circuit pole.
- Add-on covers for field modification.
- Round aluminum poles are offered in painted, polished, and satin anodized finishes.



*Aluminum Tele-Power Poles*

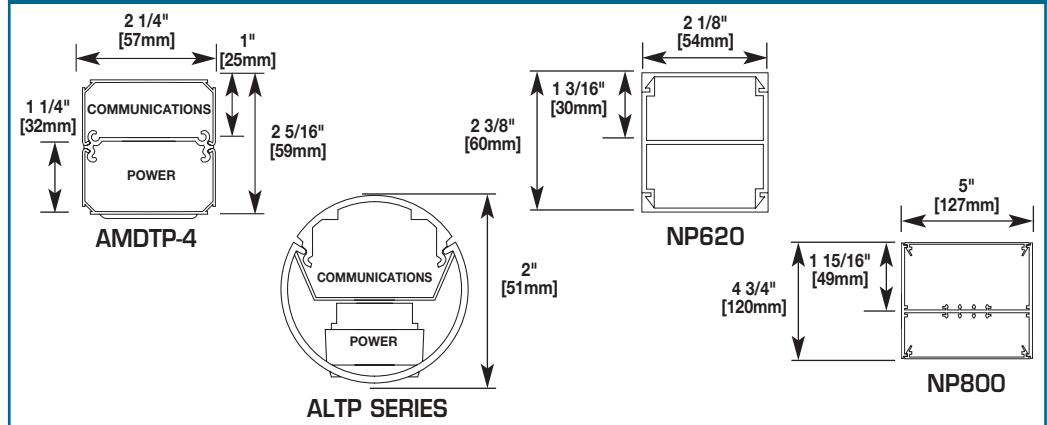
### Receptacle Heights



### Ordering Guide

| CATALOG NO.                                     | OUTLETS   | HEIGHT  | FINISH                    | CAPACITY        |          |      |           |
|---|---|---|---------------------------|-----------------|----------|------|-----------|
|   |   |   |                           | THHN / THWN #10 | THWN #12 | 4-PR | UTP 25-PR |
| AMDTP-4<br>AMDTP-412<br>AMDTP-415               | Two Duplex Receptacles (20A, 125V)  | 10' 5" [3.175m]<br>12' 5" [3.780m]<br>15' 5" [4.700m] | Anodized Aluminum         | 10              | 15       | 15   | 6         |
| AMDTP-4D  | Two Duplex Receptacles (20A, 125V)<br>One Dedicated/ Isolated & One Standard Branch Circuit | 10' 5" [3.175m]                                       | Anodized Aluminum         | 10              | 15       | 15   | 6         |
| NP620-2-10-2B<br>NP620-2-12-8B<br>NP620-2-15-2B | Two Duplex Receptacles (20A, 125V)  | 10' 2" [3.098m]<br>12' 8" [3.860m]<br>15' 2" [4.620m] | Anodized Aluminum         | 12              | 13       | 30   | 6         |
| ALTP-2OW  | Four Single Receptacles   | 10' 4" [3.150m]                                       | Painted Office White      | —               | —        | 5    | 1         |
| ALTP-2P   |   |   | Polished Aluminum Anodize | —               | —        | 5    | 1         |
| ALTP-2S   |   |   | Satin Anodize             | —               | —        | 5    | 1         |
| 25AM10FO  | 2" [51mm] radius control entrance fitting for 25DT and AMDT Series                          |   |                           |                 |          |      |           |

### Cross-Sectional Areas



## Communication Vertical Drop Poles

- For utility feed drops of power wiring and/or communication cabling.
- Removable device covers on both sides permit connector termination without dismantling pole.
- Knockouts for modular voice/data jacks and a furniture-type outlet for direct connections.



25AM10FO

| Ordering Guide     |   |                            |
|--------------------|---|----------------------------|
| CATALOG NO.        | HEIGHT  | FINISH                     |
| 25DTC-4            | 10' 5" [3.175m]   | Ivory Steel                |
| 25DTC-412          | 12' 5" [3.780m]   |                            |
| 25DTC-415          | 15' 5" [4.700m]   |                            |
| 30TC-2V<br>30TC-4V | 10' 5" [3.175m]   | Ivory Steel                |
| AMTC-4             | 10' 5" [3.175m]   | Anodized Aluminum          |
| AMTC-412           | 12' 5" [3.780m]   |                            |
| AMTC-415           | 15' 5" [4.700m]   |                            |
| NP600C-10-2B       | 10' 2" [3.098m]   | Anodized Aluminum          |
| NP600C-12-8B       | 12' 8" [3.960m]   |                            |
| NP600C-15-2B       | 15' 2" [4.620m]   |                            |
| NP800C-10-2B       | 10' 2" [3.098m]   | Anodized Aluminum          |
| NP800C-12-8B       | 12' 8" [3.960m]   |                            |
| NP800C-15-2B       | 15' 2" [4.620m]   |                            |
| ALTC-2OW           | 10' 3" [3.124m]   | Painted Office White       |
| ALTC-2P            |   | Polished Aluminum Anodized |
| ALTC-2S            |   | Satin Anodized             |
| 25AM10FO           | 2" [51mm] radius control entrance fitting for 25DT and AMTC Series† |                            |

## Communication Capacities \*

| CABLE TYPE & SIZE                               | TYPICAL O.D.<br>Inches [mm] |        | 25DTP<br>AMDTP<br>SERIES | 30TP-2V<br>SERIES | 30TP-4V<br>SERIES<br>30TC-2V<br>30TC-4V** | AMTC & 25DTC<br>SERIES |                 | NP620-2<br>NP600C-2**<br>SERIES | ALTC<br>SERIES | NP800<br>SERIES |          |
|---|-----------------------------|--------|--------------------------|-------------------|---|------------------------|-----------------|---------------------------------|----------------|-----------------|----------|
|   |                             |        |                          |                   |   | SMALL<br>COMPT.        | LARGE<br>COMPT. |                                 |                | 8 SQ IN         | 12 SQ IN |
| <b>UNSHIELDED TWISTED PAIR (UTP)</b>            |                             |        |                          |                   |   |                        |                 |                                 |                |                 |          |
| 4-pair, 24 AWG, Cat 5                           | 0.220                       | [5.6]  | 19                       | 33                | 37  | 19                     | 26              | 22                              | 10             | 84              | 126      |
| 4-pair, 24 AWG, Cat 3                           | 0.190                       | [4.8]  | 26                       | 44                | 49  | 26                     | 34              | 30                              | 13             | 112             | 169      |
| <b>TELEPHONE</b>                                |                             |        |                          |                   |   |                        |                 |                                 |                |                 |          |
| 2-pair, 24 AWG                                  | 0.140                       | [3.6]  | 48                       | 81                | 91  | 48                     | 63              | 56                              | 24             | 207             | 311      |
| 3-pair, 24 AWG                                  | 0.150                       | [3.8]  | 42                       | 70                | 79  | 42                     | 55              | 48                              | 21             | 181             | 271      |
| 4-pair, 24 AWG                                  | 0.190                       | [4.8]  | 26                       | 44                | 49  | 26                     | 34              | 30                              | 13             | 112             | 169      |
| 25-pair, 24 AWG                                 | 0.410                       | [10.4] | 5                        | 9                 | 10  | 5                      | 7               | 6                               | 3              | 24              | 36       |
| <b>COAXIAL</b>                                  |                             |        |                          |                   |   |                        |                 |                                 |                |                 |          |
| RG58/U 18 Gauge                                 | 0.195                       | [5.0]  | 25                       | 41                | 47  | 25                     | 33              | 29                              | 13             | 107             | 160      |
| RG59/U 22 Gauge                                 | 0.242                       | [6.1]  | 16                       | 27                | 30  | 16                     | 21              | 19                              | 8              | 69              | 104      |
| RG62A/U 20 Gauge                                | 0.242                       | [6.1]  | 16                       | 27                | 30  | 16                     | 21              | 19                              | 8              | 69              | 104      |
| RG6/U 22 Gauge                                  | 0.270                       | [6.9]  | 13                       | 22                | 24  | 13                     | 17              | 15                              | 6              | 55              | 83       |
| <b>TWINAXIAL</b>                                |                             |        |                          |                   |   |                        |                 |                                 |                |                 |          |
| 100 Ohm   | 0.330                       | [8.4]  | 8                        | 14                | 16  | 8                      | 11              | 10                              | 4              | 37              | 56       |
| <b>SHIELDED TWISTED PAIR (STP)</b>              |                             |        |                          |                   |   |                        |                 |                                 |                |                 |          |
| TYPE 1  | 0.390                       | [9.9]  | 6                        | 10                | 12  | 6                      | 8               | 7                               | 3              | 26              | 40       |
| TYPE 2  | 0.465                       | [11.8] | 4                        | 7                 | 8   | 4                      | 6               | 5                               | 2              | 18              | 28       |
| TYPE 9  | 0.245                       | [6.2]  | 16                       | 26                | 30  | 16                     | 21              | 18                              | 8              | 67              | 101      |
| <b>FIBER OPTIC</b>                              |                             |        |                          |                   |   |                        |                 |                                 |                |                 |          |
| Two Strand (Duplex)<br>Multimode, 62.5 / 125 μm | 0.190                       | [4.8]  | 26                       | 44                | 49  | 26                     | 34              | 30                              | 13             | 112             | 169,     |

\* 40% cable fill is the maximum designed cable fill based on a proposed revision to TIA/EIA 569-A.

\*\* For each compartment.

† When used with TC Series, only one side is a controlled radius.

## Add-On Covers

- Enables additional receptacles or devices to be added to existing poles.
- Use to increase the density of communication outlets.
- Covers with knockouts for mounting discrete jacks and connectors.
- For maximum flexibility choose the faceplate and kit options for Communications modular inserts.

### Ordering Guide

| CATALOG NO.  | DESCRIPTION  |
|--|--|
| <b>Power Covers For AMDTP/25DTP Series</b>   |  |
| AMDTP-A<br>25DTP-A   | Single (1.40" [36mm] Dia.) Receptacle and Double Duplex.   |
| AMDTP-B<br>25DTP-B   | Triple Duplex Receptacles.   |
| AMDTP-L<br>25DTP-L   | GFCI Receptacle and Double Duplex.   |
| <b>Power Covers For 30TP Series</b>  |  |
| 30TP-A   | Single Receptacle (1.40" [36mm] Dia.).   |
| 30TP-B   | Duplex Receptacle.   |
| 30TP-C   | Single-Gang Faceplate (for commercially available devices).  |
| 30TP-J   | Single Receptacle (1.59" [40mm] Dia.).   |
| 30TP-L   | Rectangular GFCI/Surge Receptacle.   |
| <b>Communications Covers For Ortronics® Series II Modular Connectivity Solutions</b> |  |
| 25DTC-3S2  | For 25DTP/25DTC Series.  |
| AMTC-3S2   | For AMDTP/AMTC Series.   |
| <b>Communications Covers For Discrete Jacks</b>                                      |  |
| 25DTC-CVR  | For 25DTP/25DTC Series.  |
| 30TC-CVR   | For 30TP/30TC Series.  |
| AMTC-CVR   | For AMDTP/AMTC Series.   |
| <b>Communications Covers For Pass &amp; Seymour Activate Modular Inserts</b>         |  |
| 25DTC-ACT  | 25DTP Kit with Hole Cut Cover and Mounting Bezel.  |
| AMTC-ACT   | AMDTP Kit with Hole Cut Cover and Mounting Bezel.  |
| AC-SFP   | Single-Gang Faceplate for 30TP Series. (Use with 30TP-C Single-Gang Mounting Plate).                       |
| AC-SAP   | Angled Single-Gang Faceplate for 30TP Series. (Use with 30TP-C Single-Gang Mounting Plate). Without Icons. |



*AMDTP and 25DTP Power Covers.*



*30TP Series Power Covers include device mounting brackets.*



*Communication Covers.*