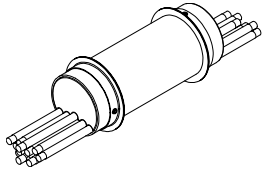




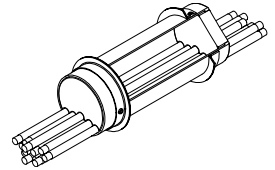
INSTALLATION SHEET



READY SLEEVE™



Catalog No. FS100, FS200, FS400 SPECSEAL® READY SLEEVE™



READ COMPLETELY BEFORE INSTALLING

GENERAL:

This product is designed for installation in walls or floors up to 10" (250mm) thick. When installed, sleeve should be positioned at the approximate midpoint of the barrier and extend an equal distance from both sides.

TOOLS:

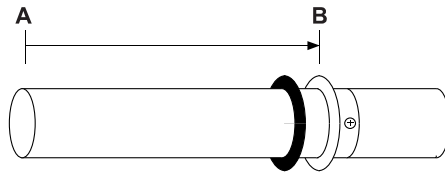
Phillips screw driver.
Appropriately sized hole saw (gypsum board) or core drill bit. See Table 1

TABLE 1:

Catalog Number	Trade Size*	Min. Opening	Max. Opening
FS100	1" (25 mm)	1.116" (29 mm)	1.25" (32 mm)
FS200	2" (51mm)	2.375" (60.3 mm)	2.5" (65 mm)
FS400	4" (102 mm)	4.5" (114 mm)	4.5" (114 mm)

PRODUCT INSTALLATION:

- Step 1: Create a circular opening in the barrier to accommodate the steel sleeve
- Step 2: Measure the thickness of the barrier.
- Step 3: Install the first escutcheon plate on the sleeve. Using Table 2, measure from one end of the sleeve (A) and mark the position of the flange on the sleeve (B) as shown below. Tighten set screws. Slide gasket onto sleeve.



- Step 4: Slide sleeve assembly into barrier.
- Step 5: Working from the opposite side of the barrier, install gasket and escutcheon over sleeve. Pull sleeve toward you to snug against the opposite side of the barrier. Push escutcheon plate tightly against wall surface and tighten set screws. Install bushings on ends of sleeve {1" (25 mm) only}.

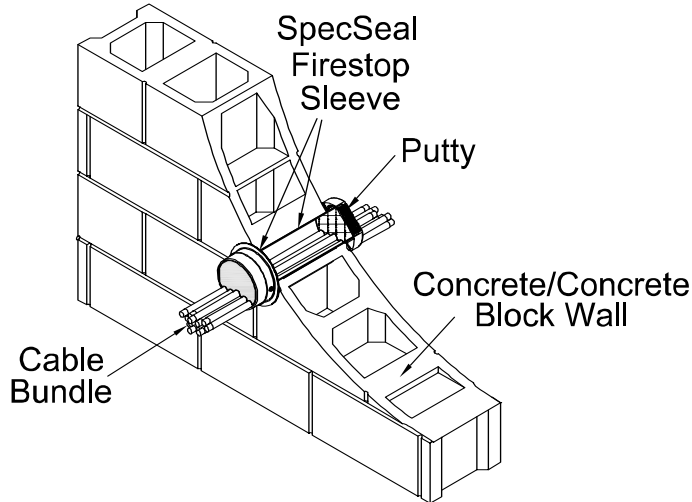
- Step 6: Install SpecSeal® Firestop Putty to 1" (25 mm) depth on each side of wall, flush with ends of steel sleeve. Where cables are in contact with steel sleeve, apply a min 1/4" (6 mm) diameter "rope" of putty at the grouped cable/steel sleeve interface.

TABLE 2:

Barrier Inches	Barrier (mm)	Distance A to B Inches	Distance A to B (mm)
4	102	8.00	203
4.5	114	8.25	210
5	127	8.50	216
5.5	140	8.75	222
6	152	9.00	229
6.5	165	9.25	235
7	178	9.50	241
7.5	191	9.75	248
7.625*	194	9.81	249
8	203	10.00	254
8.5	216	10.25	260
9	229	10.50	267
9.5	241	10.75	273
10	254	11.00	279

*Standard CMU wall thickness

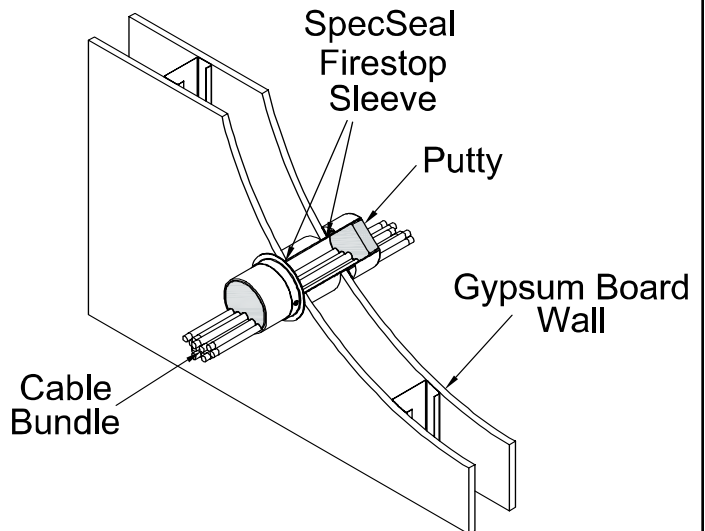
READY SLEEVE™



UL System No. W-J-3141

F Rating - 1 or 2 Hr

Electrical, Telephone or Data Cables (Max. 48% Fill)
SpecSeal® READY SLEEVE™: FS100, FS200, FS400
SpecSeal® Putty: 1" Depth (each side)



UL System No. W-J-3141

F Rating - 1 or 2 Hr

Electrical, Telephone or Data Cables (Max. 48% Fill)
SpecSeal® READY SLEEVE™: FS100, FS200, FS400
SpecSeal® Putty: 1" Depth (each side)

Important Notice: All statements, technical information, and recommendations contained herein are based upon testing believed to be reliable, but the accuracy and completeness thereof is not guaranteed.

WARRANTY: Specified Technologies Inc. manufactures its goods in a manner to be free of defects. Should any defect occur in its goods (within one year), Specified Technologies Inc., upon prompt notification, will at its option, exchange or repair the goods or refund the purchase price.

Limitations and Exclusions: THIS WARRANTY IS IN LIEU OF ALL OTHER REPRESENTATIONS EXPRESSED OR IMPLIED (INCLUDING THE IMPLIED WARRANTIES OF MERCHANTABILITY OR FITNESS FOR USE) AND UNDER NO CIRCUMSTANCES SHALL SPECIFIED TECHNOLOGIES INC. BE RESPONSIBLE FOR ANY INCIDENTAL OR CONSEQUENTIAL PROPERTY DAMAGE OR LOSSES. PRIOR TO USE, THE USER SHALL DETERMINE THE SUITABILITY OF THE PRODUCT FOR ITS INTENDED USE, AND THE USER ASSUMES ALL RISKS AND LIABILITY FOR SUBSEQUENT USE. No statement or recommendation not contained herein shall have any force or effect unless in an agreement signed by officers of seller and manufacturer.

MADE IN THE USA – COPYRIGHT © 2005 SPECIFIED TECHNOLOGIES, INC.



Specified Technologies, Inc.
THE FIRESTOP AUTHORITY

200 Evans Way • Somerville, NJ 08876
Phone: (800) 992-1180 • Fax: (908) 526-9623
STI on the WEB: www.stifirestop.com