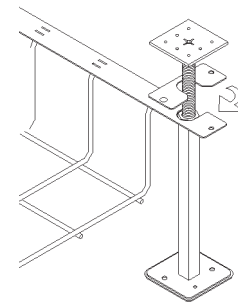
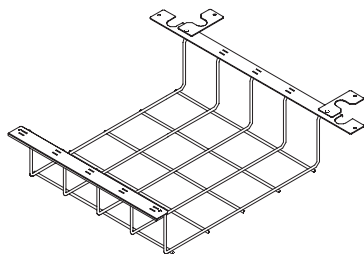
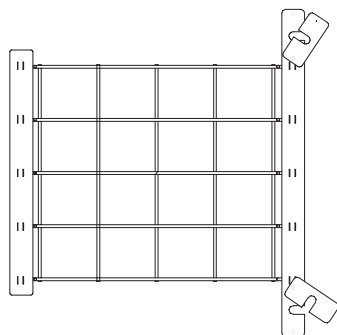
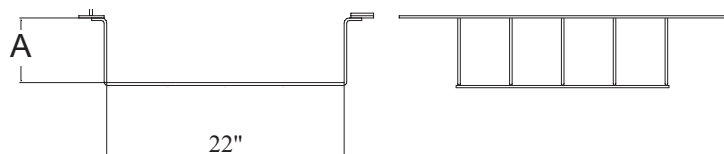
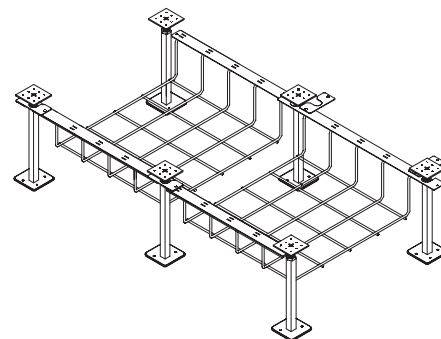


CM 301 Series - Latch-Loc™ SNAKE CANYON®



Detail of Attachment



| Part Number | Loading Dimensions | | Cable Capacity | | Wt | Finish |
|--|--------------------|-----------|-----------------|------|------|--------|
| | Depth (A) | Width (B) | Physical Volume | | | |
| <i>For use with 3/4" Floor Pedestals</i> | | | | | | |
| CM 301-2-A45 | 2" | 22" | 44si | 470 | 4.5# | PG/PC |
| CM 301-4-A45 | 4" | 22" | 88si | 940 | 5.5# | PG/PC |
| CM 301-6-A45 | 6" | 22" | 132si | 1400 | 6.5# | PG/PC |
| CM 301-8-A45 | 8" | 22" | 176si | 1880 | 8.0# | PG/PC |
| CM 301-12-A45 | 12" | 22" | 264si | 2820 | 9.5# | PG/PC |
| <i>For use with 1" Floor Pedestals</i> | | | | | | |
| CM 301-2-A46 | 2" | 22" | 44si | 470 | 4.5# | PG/PC |
| CM 301-4-A46 | 4" | 22" | 88si | 940 | 5.5# | PG/PC |
| CM 301-6-A46 | 6" | 22" | 132si | 1400 | 6.5# | PG/PC |
| CM 301-8-A46 | 8" | 22" | 176si | 1880 | 8.0# | PG/PC |
| CM 301-12-A46 | 12" | 22" | 264si | 2820 | 9.5# | PG/PC |

50% FILL AS PER NEC ARTICLE 392.9B .25 OD

Latch-Loc Snake Canyon® is another new innovation in the Snake Canyon® series of modular cable tray systems for computer access floors. Latch-Loc quickly installs to a computer access floor by latching onto the floor pedestal above the adjuster nut. Its all-in-one piece design instantly gives you a high capacity cable path that can hold close to 3000 data cables. Latch-Loc Snake Canyon® is available in five depths in full or half basket sections and can be utilized with other Snake Canyon® models to create bridges where floor tiles are not readily removable.

Snake Tray® and Snake Canyon® products are covered by one or more of the following patents: #6,637,704, #6,637,165, #6,463,704, #6,460,812, #6,449,912, #6,361,000, #6,347,493, #6,019,323, #5,953,870, #5,839,702 and AUS #737,813. Other US and Foreign Patents Pending.

