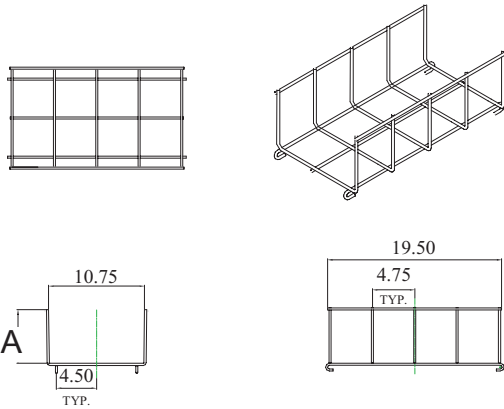
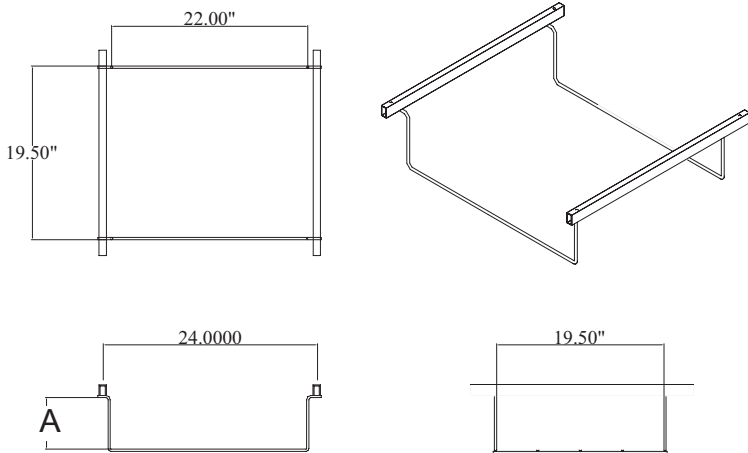
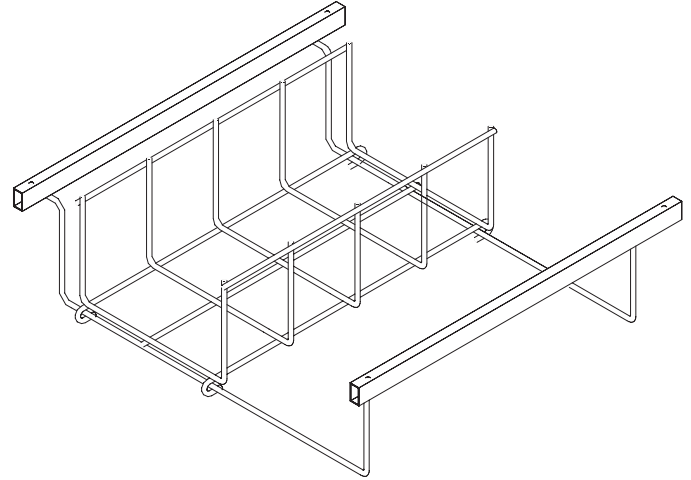


CM 301 Series - Half Section SNAKE CANYON®



Half Section Basket Insert



Half Section Support Frame

The Half Section Snake canyon allows for the same quick simple installation, accessibility and large cable capacity as the standard Snake Canyon, but also provides an open area for convenient access to supplementary utilities that may run below the Voice/Data cable plant. No additional hardware or floor modifications are necessary to complete the installation, and is available in 2", 4", 6", 8" and 12" depths providing up to 86 square inches of pathway. Available in all Snake Canyon models including Traditional, CAMLOC, LatchLOC and Click-in.

Part No.	Loading Dimensions		Cable Capacity
	Depth (A)	Width (B)	Physical Volume
CM 301-2-X-HS	2"	10 3/4"	220
CM 301-4-X-HS	4"	10 3/4"	440
CM 301-6-X-HS	6"	10 3/4"	670
CM 301-8-X-HS	8"	10 3/4"	880
CM 301-12-X-HS	12"	10 3/4"	1315

50% FILL AS PER NEC ARTICLE 392.9B
.25 OD

Snake Tray® and Snake Canyon® products are covered by one or more of the following patents: #6,637,704, #6,637,165, #6,463,704, #6,460,812, #6,449,912, #6,361,000, #6,347,493, #6,019,323, #5,953,870, #5,839,702 and AUS #737,813. Other US and Foreign Patents Pending.

