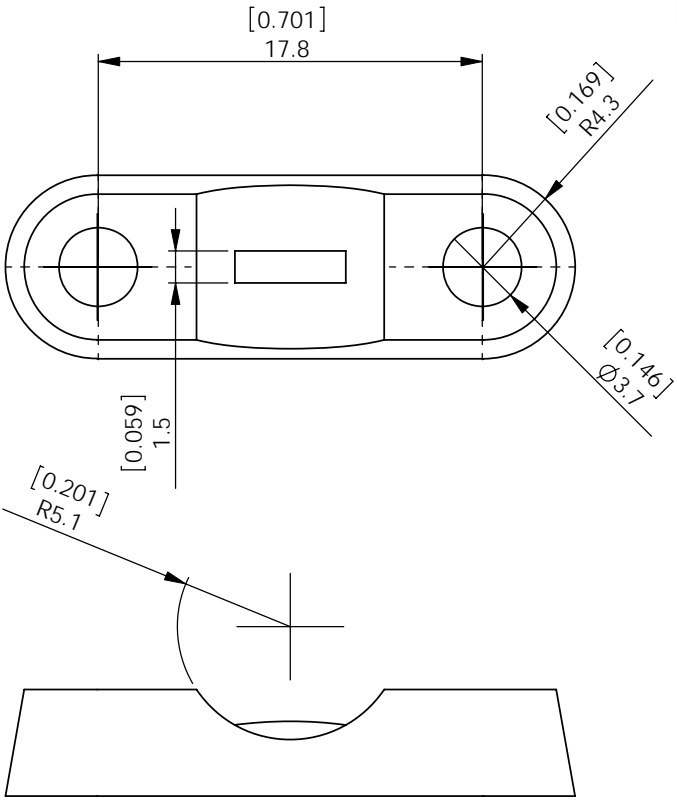
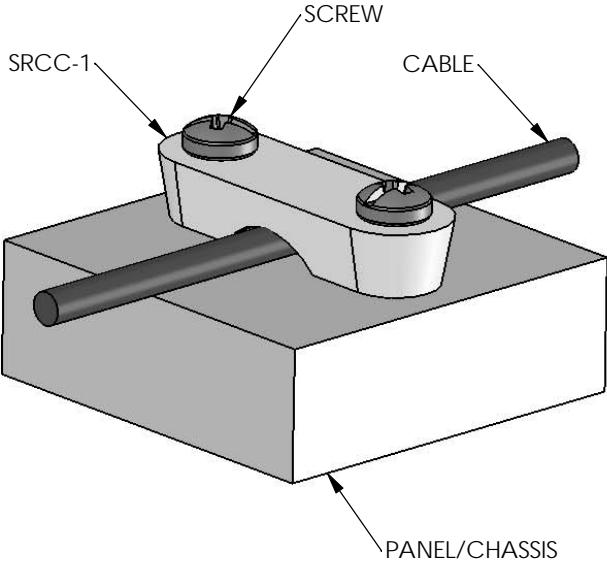
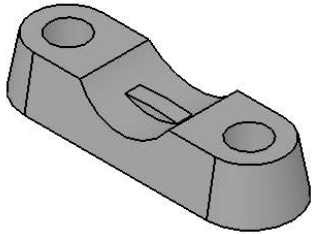


A B C D E F

REV.	MODIFICATION.	DATE	DRN
01	NEW DRAWING	23/07/04	NJB
02	MAX CABLE DIA ADDED	24/09/04	NJB
03	PART No. UPDATED	28/09/04	NJB
04	APPLICATION VIEW & SECONDARY DIMS ADDED	04/10/04	NJB
05	ECN 04-229	10/12/04	NJB
06	ECN 07-221	06/12/07	NJB
07	CO2010809	10/09/09	MT



NOTES:
 1) MAX. CABLE DIAMETER = 4.5mm.
 2) MAXIMUM SCREW SIZES:
 M3 x 0.6, No. 6 SCREW UNC, No.6 SCREW UNF.

ALTERNATE UNITS FOR REFERENCE ONLY

INFORMATION CONTAINED IN THIS DOCUMENT IS CONFIDENTIAL TO RICHCO INTERNATIONAL Co. Ltd. AND MAY NOT BE DISCLOSED OR REPRODUCED IN WHOLE OR PART WITHOUT THEIR WRITTEN CONSENT.

RICHCO, INC. WWW.RICHCO-INC.COM	ALL DIMENSIONS IN mm GENERAL TOLERANCES ±0.25 UNLESS OTHERWISE STATED 1 DECIMAL PLACE ± 2 DECIMAL PLACES ± ANGULAR ±1°	THIRD ANGLE
	MATERIAL: NYLON 6/6 UL94 V-2 (RMS-48)	
DESCRIPTION: STRAIN RELIEF CABLE CLAMP		COLOUR: GREY
DRG No: 04-081		PART No: SRCC-1
NPR REF:		SHEET SIZE A4
DRN NJB	DATE 23/07/04	CHKD OW
DATE 23/07/04	SCALE NTS	SHEET No 1 OF 1

A B C D E F