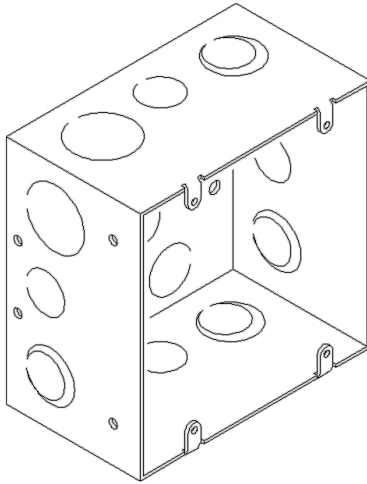


**Making Communications & Fire Protection More Reliable and Cost-Effective!**

## **Product Specifications:**



**Product Number R-55016**  
**5 SQUARE®** Fire Signal Box

**Product Description:**  
5 in. Square x 2.875" Deep Metal Box

**Volume:**  
67 in<sup>3</sup> (1098 cm<sup>3</sup>)

**Side Knockouts:**  
(1) 1/2", (1) 1/2"/3/4" & (1) 1" each side

**Back Knockouts:**  
(3) 1/2" & (2) 3/4"

**Listing: C UL US**  
*Patented*

## **Benefits of the 5 SQUARE® Roomy Design:**

- The first fire alarm backbox created explicitly for flush mounting of fire alarm signals
- The **5 SQUARE®** boxes provide up to 88cu in. of interior volume, more than double that of most existing boxes
- Saves hours of troubleshooting time on ground faults and short circuits
- Proven to be effective at reducing installation costs and time
- Proven to be able to allow pass-through conductors, which may reduce conduit
- Can be used on all fire signals, thereby creating an easily upgradable system for owners - with tremendous future cost savings!
- Proven to truly make the easiest and most cost effective installation possible when using oversized voice evacuation signals
- The **5 SQUARE®** patented backbox design provides an extension ring that reduces the opening to a standard 4 square
- Designed by professional installers