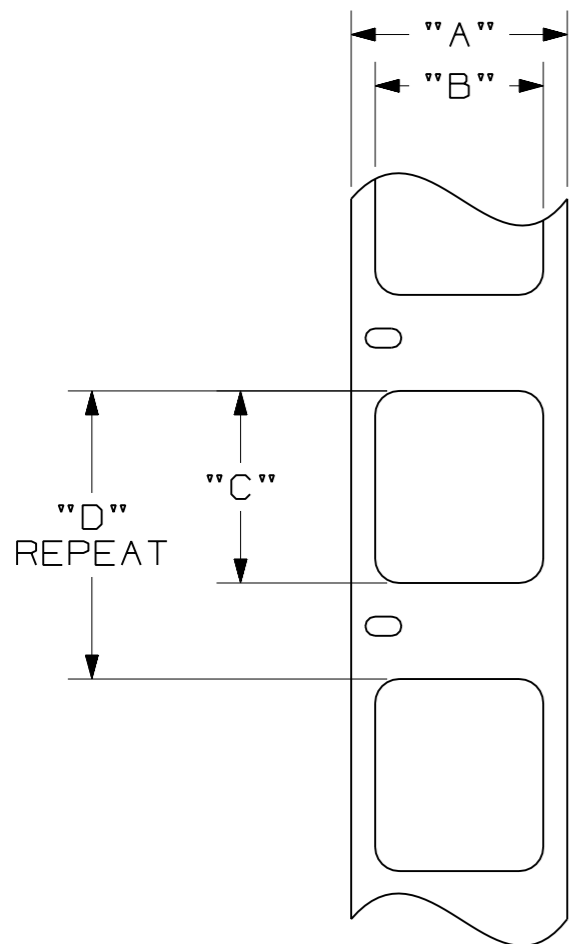
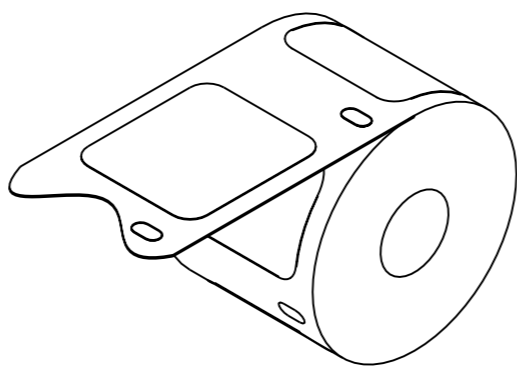


NOTES:

1. SEE MFG. DWG. NO. A61318.
2. DIMENSIONS IN [] ARE IN MILLIMETERS.



| PANDUIT PART NO. | MATERIAL | "A" | "B" | "C" | "D" | LABELS/ROLL |
|------------------|----------------------|----------------|-----------------|-----------------|------------------|-------------|
| C061X030FJC | WHITE POLYESTER GMPO | 0.85 [21.59] | 0.610 [15.49] | 0.300 [7.62] | 0.625 [15.88] | 500 |
| C125X030FJC | WHITE POLYESTER GMPO | 0.63 [16.00] | 0.300 [7.62] | 1.250 [31.75] | 1.500 [38.10] | 200 |
| C188X030FJC | WHITE POLYESTER GMPO | 0.63 [16.00] | 0.300 [7.62] | 1.875 [47.63] | 2.125 [53.98] | 150 |
| C200X100FJC | WHITE POLYESTER GMPO | 1.13 [28.70] | 1.000 [25.40] | 2.000 [50.80] | 2.250 [57.15] | 150 |
| C252X030FJC | WHITE POLYESTER GMPO | 0.63 [16.00] | 0.300 [7.62] | 2.520 [64.01] | 2.875 [73.03] | 125 |
| C261X030FJC | WHITE POLYESTER GMPO | 0.63 [16.00] | 0.300 [7.62] | 2.610 [66.29] | 2.875 [73.03] | 125 |
| C315X030FJC | WHITE POLYESTER GMPO | 0.63 [16.00] | 0.300 [7.62] | 3.150 [80.01] | 3.500 [88.90] | 100 |
| C379X030FJC | WHITE POLYESTER GMPO | 0.63 [16.00] | 0.300 [7.62] | 3.790 [96.27] | 4.125 [104.78] | 75 |

CAD FILENAME/LAYERS: 100472MA_C10413_CxxxXxxxFJC_00.PRT

| REV | DATE | BY | CHK | DESCRIPTION | ECN | R | CUST | SUP |
|-----|---------|-----|-----|-----------------|------|---|------|-----|
| 0 | 5-11-06 | RVU | | DRAWING RELEASE | 4503 | R | | |

PANDUIT CORP TINLEY PARK, ILLINOIS

CUSTOMER DRAWING
LS8 COMPONENT LABELS
C***X***FJC

UNLESS OTHERWISE SPECIFIED,
DIMENSIONAL TOLERANCES ARE:
(.X) ± (.XXX) ± .015
(.XX) ± .030 ANGLES ±

UNLESS OTHERWISE SPECIFIED,
ALL DIMENSIONS ARE GIVEN IN
INCHES, THIRD ANGLE PROJECTION

DRAWN BY: RVU
DATE: 5-11-06
CHK'D:

MAT'L: SEE TABLE

SCALE: NTS

DRAWING NO. C10413
DWG SIZE B