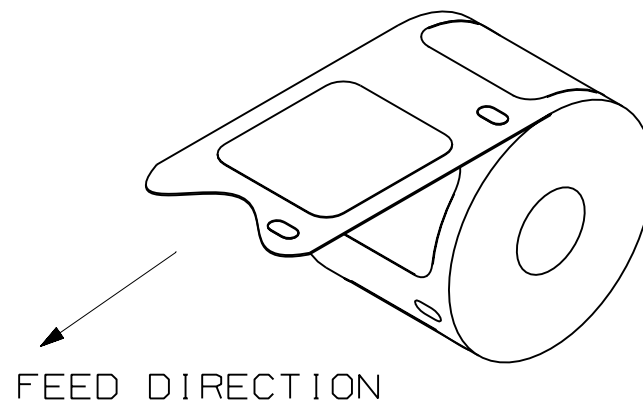
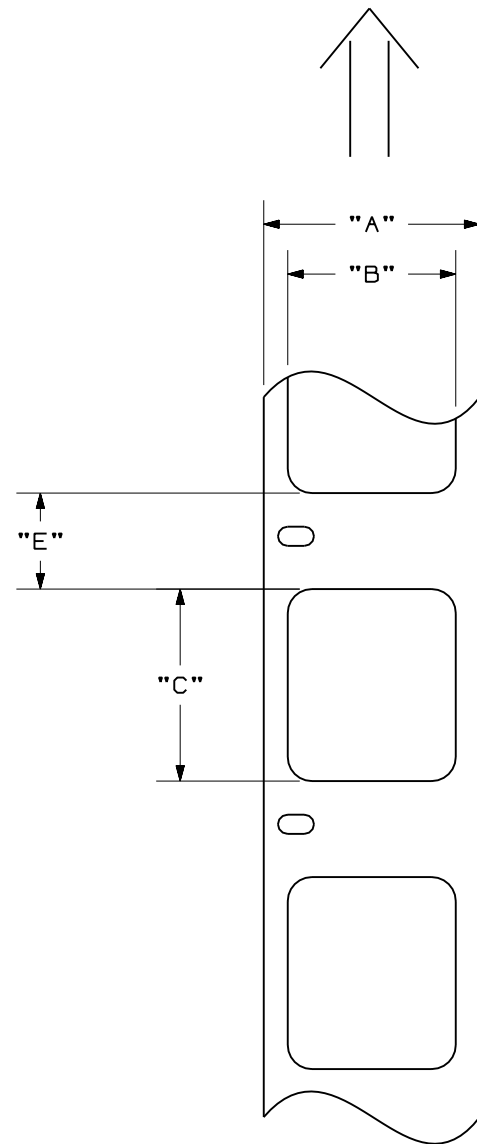


THIS COPY IS PROVIDED ON A RESTRICTED BASIS AND IS NOT TO BE USED IN ANY WAY DETRIMENTAL TO THE INTERESTS OF PANDUIT CORP.

FEED DIRECTION



NOTES:
 1. INK RIBBON ASSEMBLY, SEE NO. A85169.
 2. MILLIMETER ARE IN [].

PANDUIT PART NO.	A	B	C	E	LABELS/ROLL
N100X150CBC	1.125	1.000 [25.4]	1.500 [38.1]	0.25 [6.35]	75

										CAD FILENAME/LAYERS 100743MK_AC10426_N100X150CBC_00.PRT					
										<h1>PANDUIT</h1> CORP TINLEY PARK, ILLINOIS CUSTOMER DRAWING LSB NON-LAMINATING LABELS N100X150CBC					
										UNLESS OTHERWISE SPECIFIED, DIMENSIONAL TOLERANCES ARE: (.X) ± .031 (.XXX) ± .005 (.XX) ± .015 ANGLES ± 5°		UNLESS OTHERWISE SPECIFIED, ALL DIMENSIONS ARE GIVEN IN INCHES, THIRD ANGLE PROJECTION			
										DRAWN BY RVU		MAT'L:		SCALE NTS	
										DATE 6-20-06		GMC-T39WS-TA GM60-80LB-VC		DRAWING NO. C10426	
										CHK'D				DWG SIZE B	
0	6-20-06	RVU	DWY	RELEASE TO PRODUCTION.				4503	R						
REV	DATE	BY	CHK	DESCRIPTION				ECN	R	CUST	SUP				