



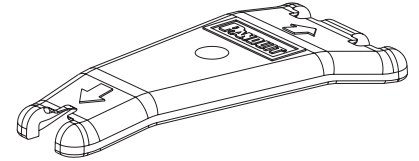
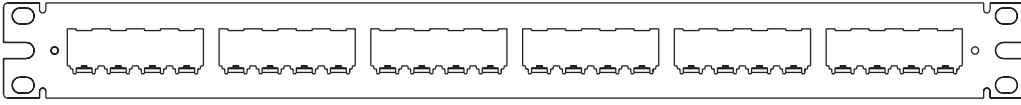
# MINI-COM All Metal Shielded Modular Patch Panels

Part Numbers: CP16BLY, CPA24BLY, CP24BLY, CPA48BLY, CP48BLY, CPA72BLY, CP72BLY, CP16WSBLY, CP24WSBLY, CP48WSBLY

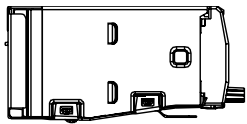
© Panduit Corp. 2008

## INSTALLATION INSTRUCTIONS PN55Q

### Components

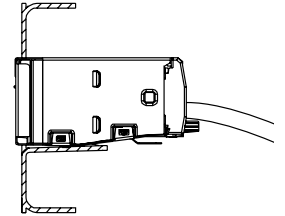
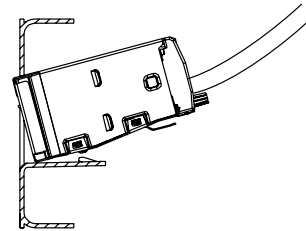
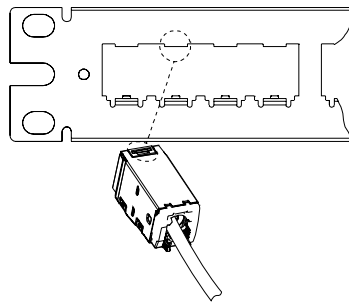


### Modules



Shielded Jack Modules

### Installation



Rear cable management recommended to provide additional support for cable.

### Mounting with standard mounting hardware

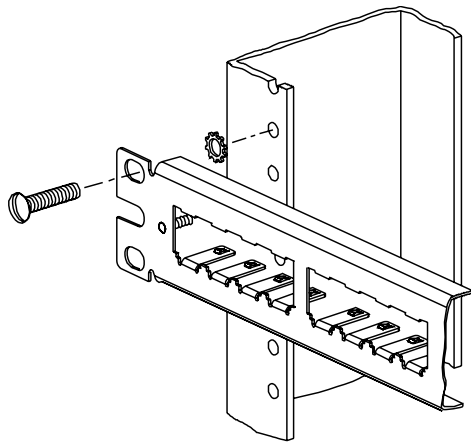
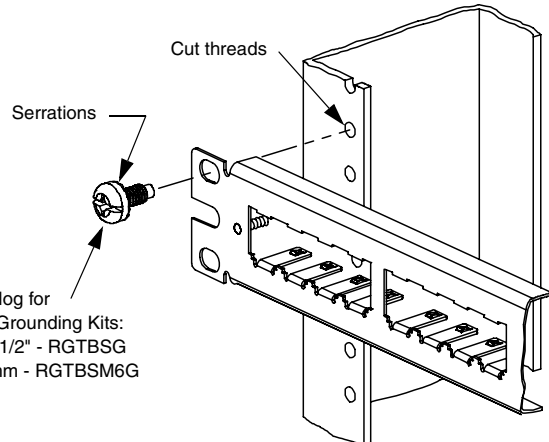


Fig. 1

### Grounding Options

PANDUIT offers two options for grounding patch panels:

Option #1 is the preferred method of grounding a patch panel with the optional green grounding screw kits (sold separately). The green screws ground in 2 ways. One is through the thread forming screw body. Second is through the serrations under the screw head. See Fig. 2.



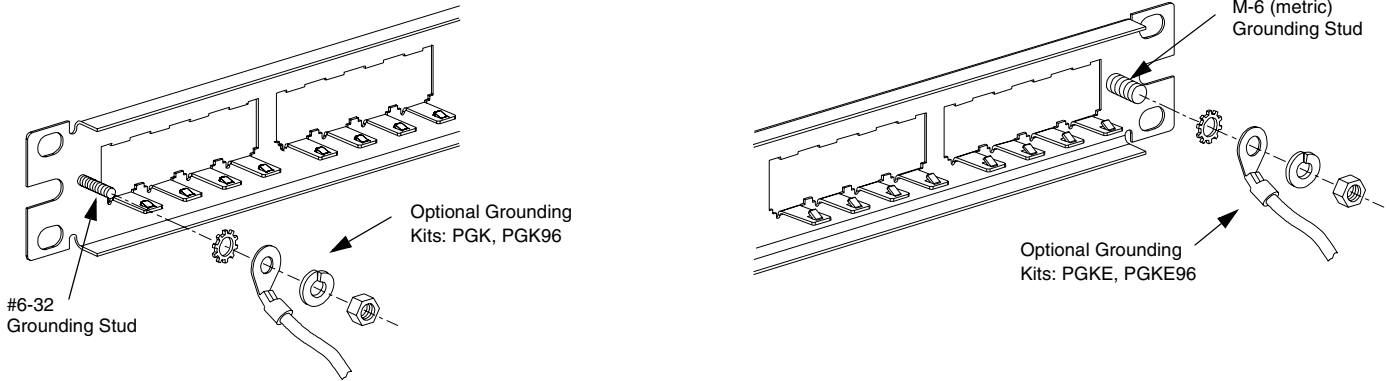
See Catalog for  
Optional Grounding Kits:  
#12-24 x 1/2" - RGTBSG  
M6 x 15mm - RGTBSM6G

Fig. 2

For Technical Support: [www.panduit.com/resources/install\\_maintain.asp](http://www.panduit.com/resources/install_maintain.asp)

Grounding Options (continued)

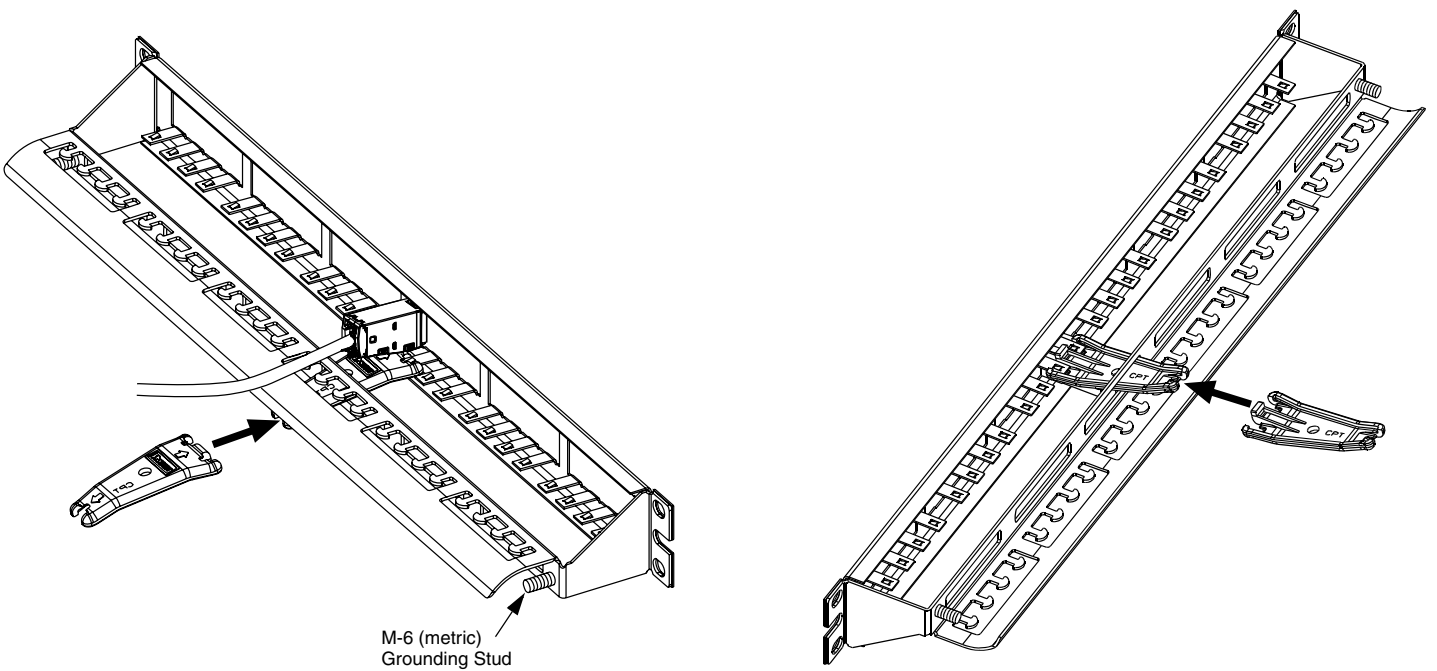
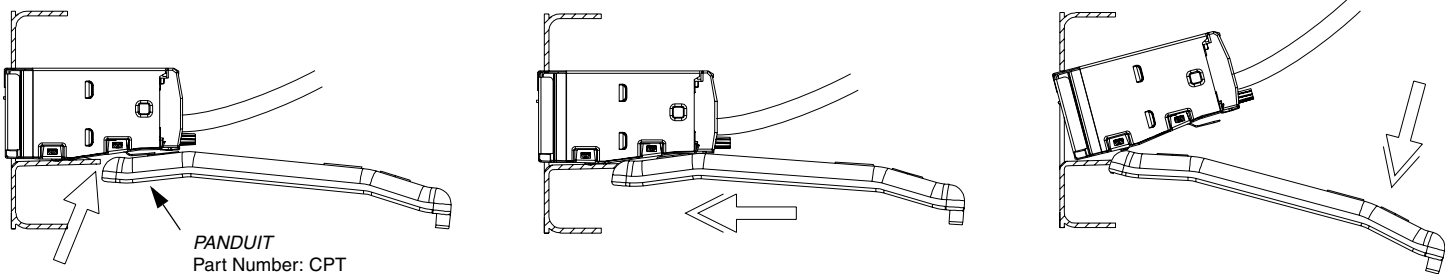
Fig. 3



Option #2 supports legacy systems. This method uses the built-in grounding stud on metal panels and grounding strap that comes in a kit (sold separately). See Fig. 3.

For details on the complete offering of “Structured Ground” Grounding system, refer to [www.panduit.com/dcgrounding](http://www.panduit.com/dcgrounding)

Removal



<p>For Instructions in Local Languages and Technical Support: <a href="http://www.panduit.com/resources/install_maintain.asp">www.panduit.com/resources/install_maintain.asp</a></p>	 <a href="http://www.panduit.com">www.panduit.com</a>	<p>E-mail: cs@panduit.com Fax: (708) 444-6993</p>
--	---	---