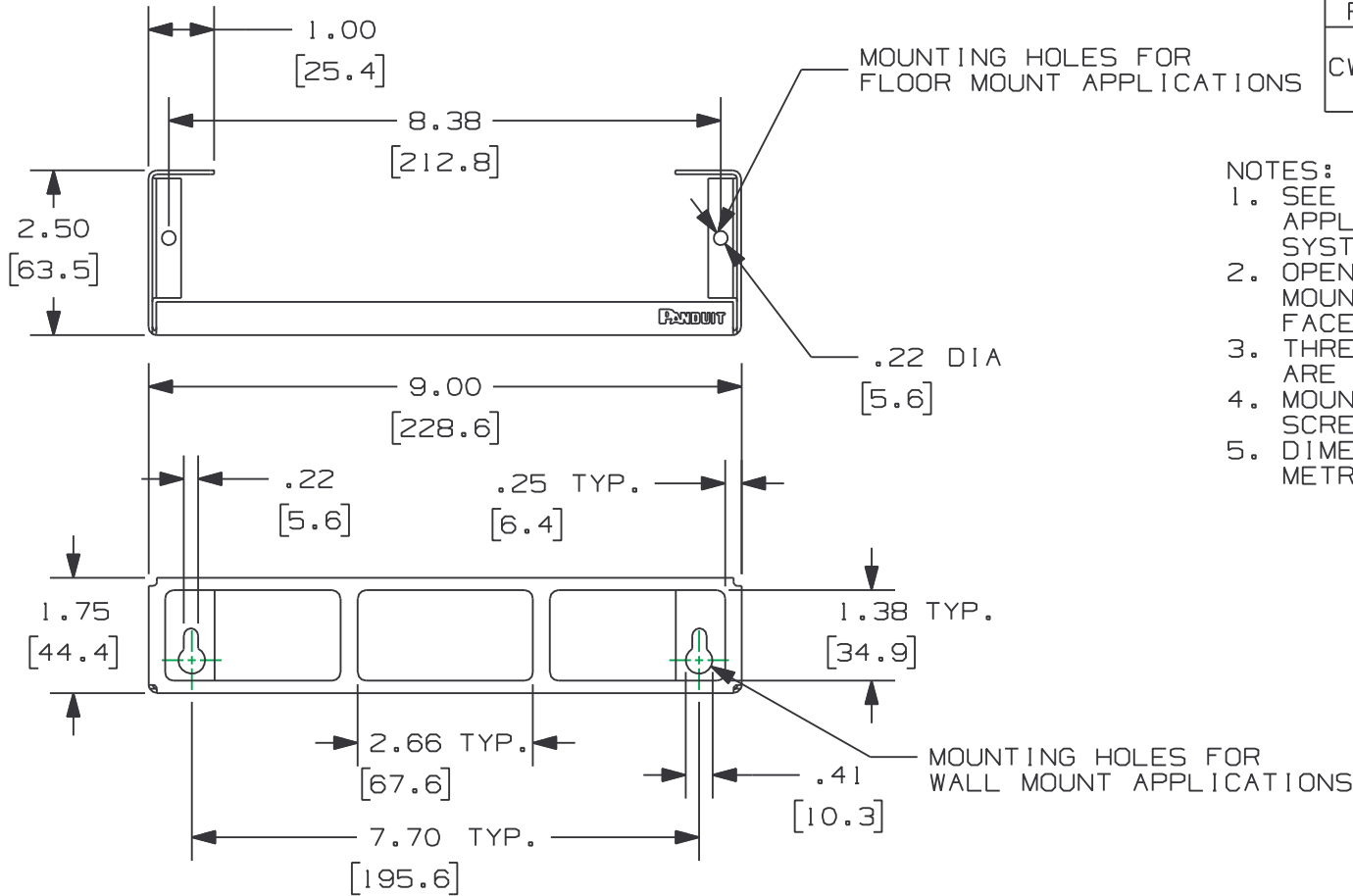
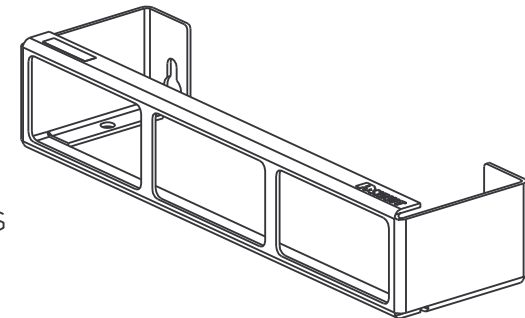


THIS COPY IS PROVIDED ON A RESTRICTED BASIS AND IS NOT TO BE USED IN ANY WAY DETRIMENTAL TO THE INTERESTS OF PANDUIT CORP.

PANDUIT PART NO.	WEIGHT
CWPP12WBL	.501 LB/EA (228 G/EA)

NOTES:

1. SEE CURRENT CATALOG FOR VARIOUS APPLICATIONS WITH THIS WIRING SYSTEM.
2. OPENINGS ARE INTENDED FOR SNAP-IN MOUNTING OF PANDUIT FURNITURE FACEPLATES (CFFP4BL).
3. THREE FURNITURE FACEPLATES (CFFP4BL) ARE PROVIDED WITH THIS PART.
4. MOUNT WITH (2) ROUND OR PAN-HEAD SCREWS (#10 MAX).
5. DIMENSIONS IN PARENTHESES ARE IN METRIC.



CAD FILENAME/LAYERS D35559BU\_DC\_CWPP12WBL\_00A.PRT

**PANDUIT** CORP. TINLEY PARK, ILLINOIS  
 12 PORT WALL PATCH PANEL (CWPP12WBL)  
 CUSTOMER DRAWING

UNLESS OTHERWISE SPECIFIED, DIMENSIONAL TOLERANCES ARE:  
 (.X) ± (.XXX) ± .010 (.3)  
 (.XX) ± .03 (.8) ANGLES ±

UNLESS OTHERWISE SPECIFIED, ALL DIMENSIONS ARE GIVEN IN INCHES, THIRD ANGLE PROJECTION.

DRAWN BY JBA	MAT'L: 16 GA. C.R.S.	SCALE NONE
DATE 4-1-97		DRAWING NO. 35559-18
CHK'D		DWG A SIZE

REV	DATE	BY	CHK	DESCRIPTION	ECN	R	CUST	SUP
R	4-1-97	JBA		RELEASED TO PRODUCTION.	35559-18			