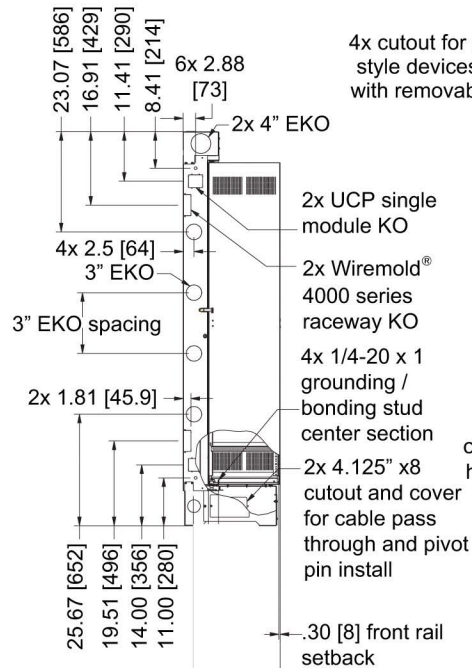


SR Series basic dimensions



All dimensions in inches unless otherwise noted [All dimensions in brackets are millimeters]

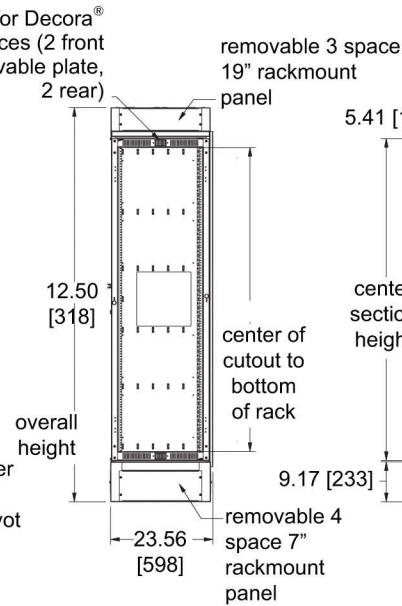
LEFT SIDE VIEW



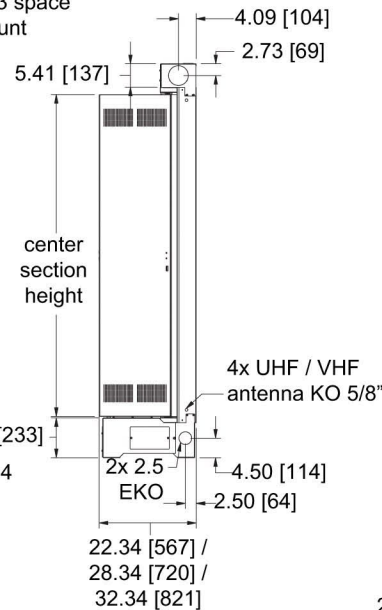
SR shown with optional PD-2415SC power strip installed (PD-815SC for 24 space model)

SR shown with optional zero clearance latch installed (DWRSR-ZL)

FRONT VIEW



RIGHT SIDE VIEW

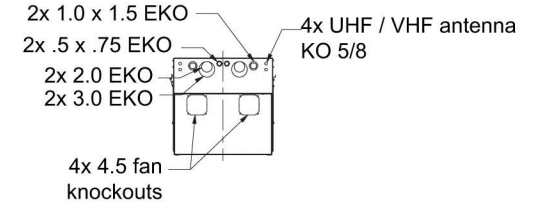


SR-SUB optional sub-plate mounting kit

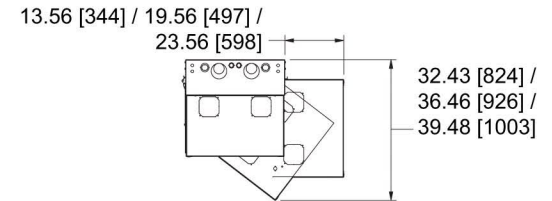
Each SR-SUB allows for the mounting of up to (4) 89-D type brackets, (4) 1900 boxes or (1) Raco 3 gang box. Hardware included.

Mount up to 4 SR-SUB (2 for 24 space models) sub-plate mounting kits to each SR back-pan using mounting holes and included hardware. (Shown with main body of enclosure removed for clarity)

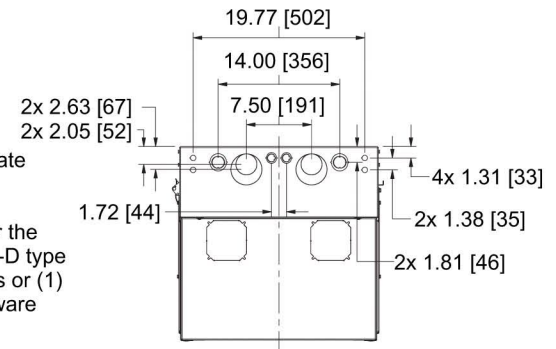
TOP SIDE VIEW



CENTER SECTION CLEARANCE

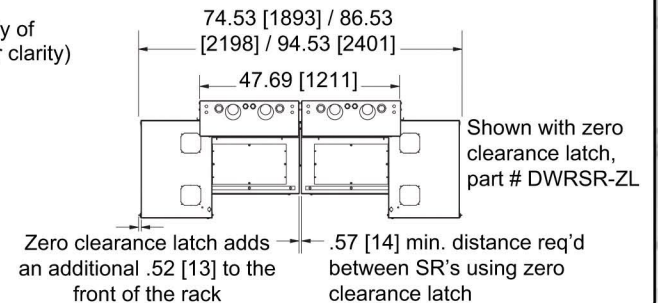


TOP VIEW KNOCKOUTS



TOP VIEW OPEN POSITION

(with zero clearance latch installed)



Mounting holes located 16" apart for stud alignment

Part #	Overall Height	Center Section Height	Overall Depth	Useable Depth	Racking Height	Rackspaces	Center of Cutout to Bottom of Rack	3" EKO Spacing
SR-24-28	62.75 (1594)	46.13 (1172)	28.34 (720)	26.00 (660)	42.00 (1067)	24	32.675 (830)	N/A
SR-24-32	62.75 (1594)	46.13 (1172)	32.34 (821)	30.00 (762)	42.00 (1067)	24	32.675 (830)	N/A
SR-40-22	90.75 (2305)	74.13 (1883)	22.34 (567)	20.00 (508)	70.00 (1778)	40	46.675 (1186)	14.00 (356)
SR-40-28	90.75 (2305)	74.13 (1883)	28.34 (720)	26.00 (660)	70.00 (1778)	40	46.675 (1186)	14.00 (356)
SR-40-32	90.75 (2305)	74.13 (1883)	32.34 (821)	30.00 (762)	70.00 (1778)	40	46.675 (1186)	14.00 (356)
SR-46-28	101.25 (2572)	84.63 (2150)	28.34 (720)	26.00 (660)	80.50 (2045)	46	51.925 (1319)	17.50 (445)