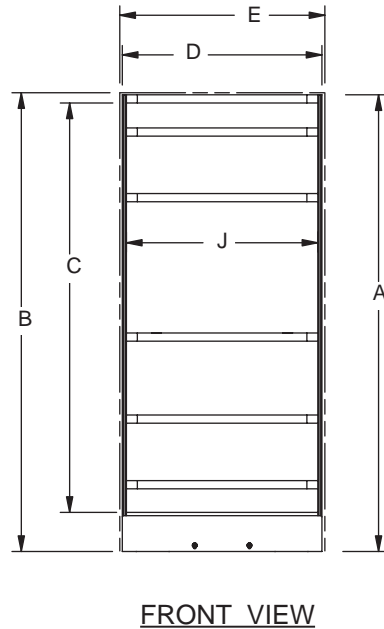
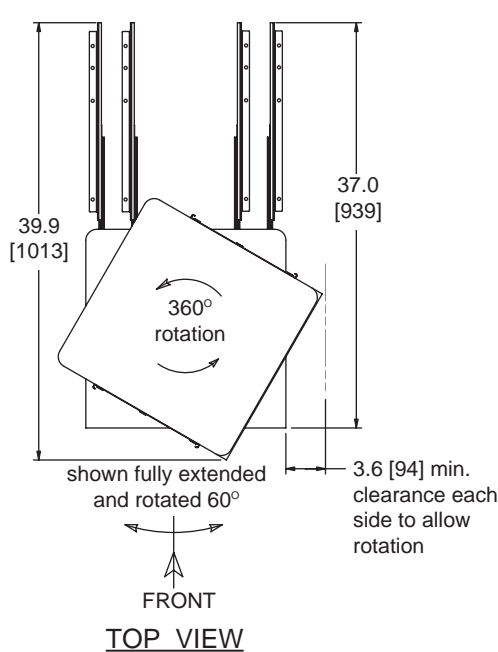
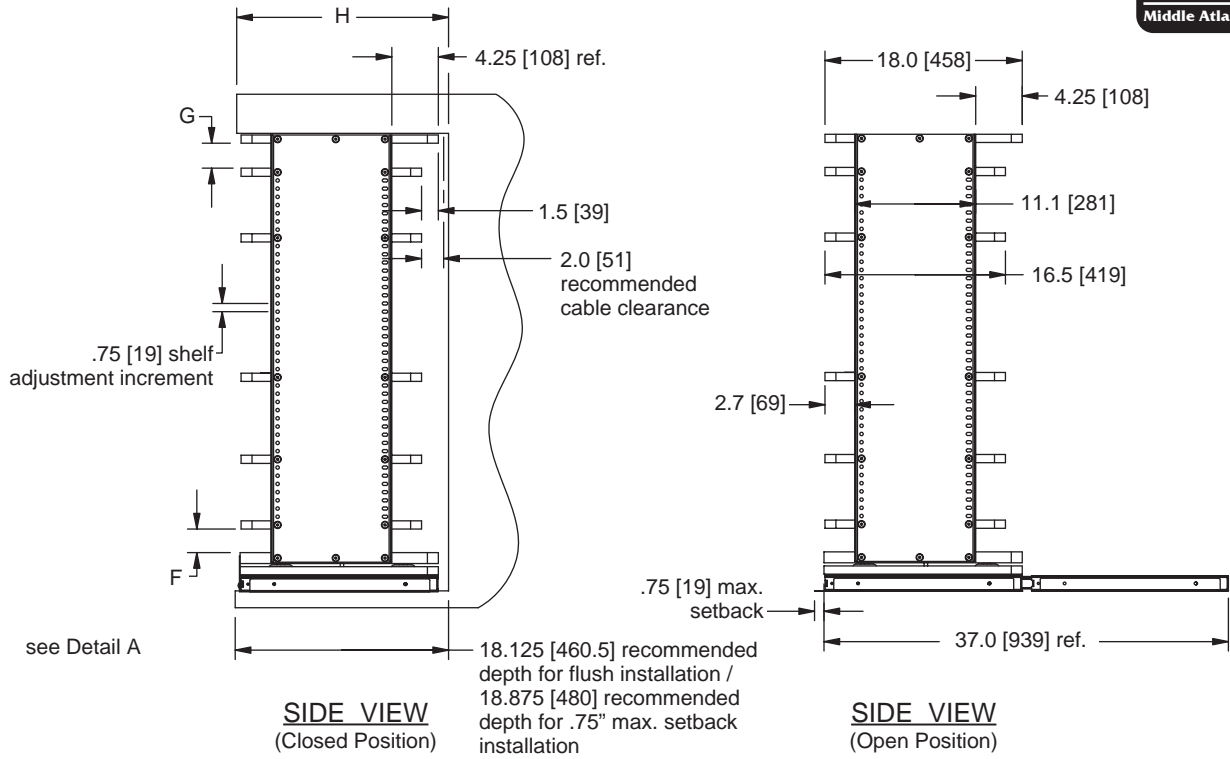


ASR basic dimensions

All dimensions in inches unless otherwise noted [All dimensions in brackets are millimeters]



Part #	A Overall Height	B Rough Opening Height	C Useable Mounting Height	D Overall Width	E Rough Opening Width	# Of Shelves / # Of Adjustable Shelves	F Lowest Shelf Mounting Clearance	G Highest Shelf Mounting Clearance	H Rough Opening Min. Depth Recommended*	Weight Capacity	Single Shelf Weight Capacity	Useable Depth	J Useable Width
ASR-30	29.85 [758]	30 [762]	23.125 [587]	18.25 [464]	18.50 [470]	4 / 3	2.3 [58]	2.3 [58]	18.25 [464]	150 lbs. [68 kg.]	75 lbs. [34 kg.]	16.125 [410]	17.5 [445]
ASR-36	35.85 [911]	36 [914]	28.375 [720]	18.25 [464]	18.50 [470]	5 / 4	2.3 [58]	2.3 [58]	18.25 [464]	150 lbs. [68 kg.]	75 lbs. [34 kg.]	16.125 [410]	17.5 [445]
ASR-42	41.85 [1063]	42 [1067]	33.625 [854]	18.25 [464]	18.50 [470]	6 / 5	2.3 [58]	2.3 [58]	18.25 [464]	250 lbs. [113 kg.]	75 lbs. [34 kg.]	16.125 [410]	17.5 [445]
ASR-48	47.85 [1215]	48 [1219]	38.875 [987]	18.25 [464]	18.50 [470]	7 / 6	2.3 [58]	2.3 [58]	18.25 [464]	250 lbs. [113 kg.]	75 lbs. [34 kg.]	16.125 [410]	17.5 [445]

* Flush installation to front of shelving system