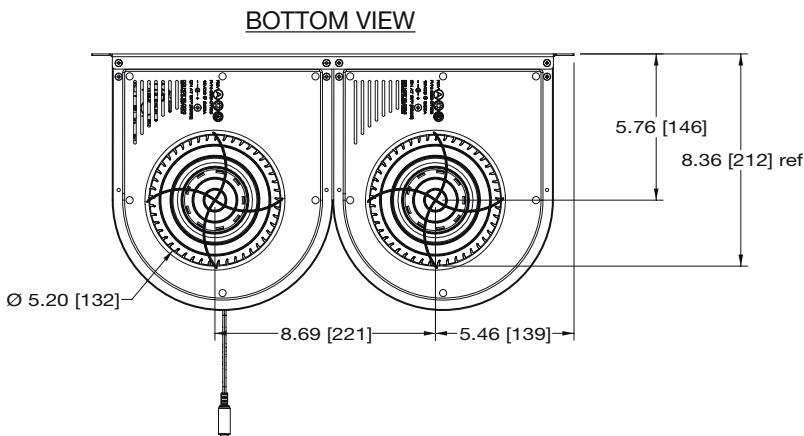
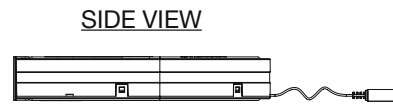
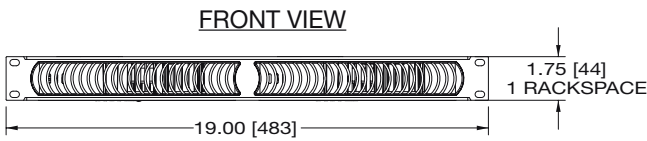
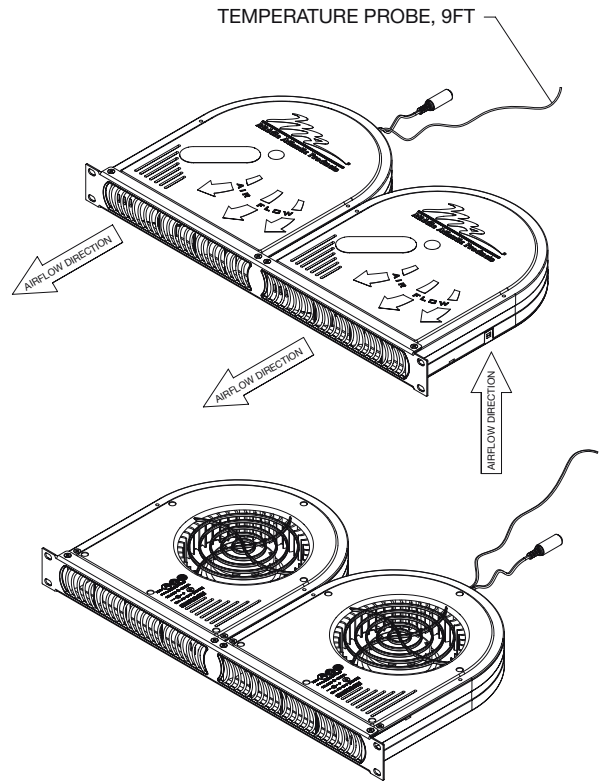
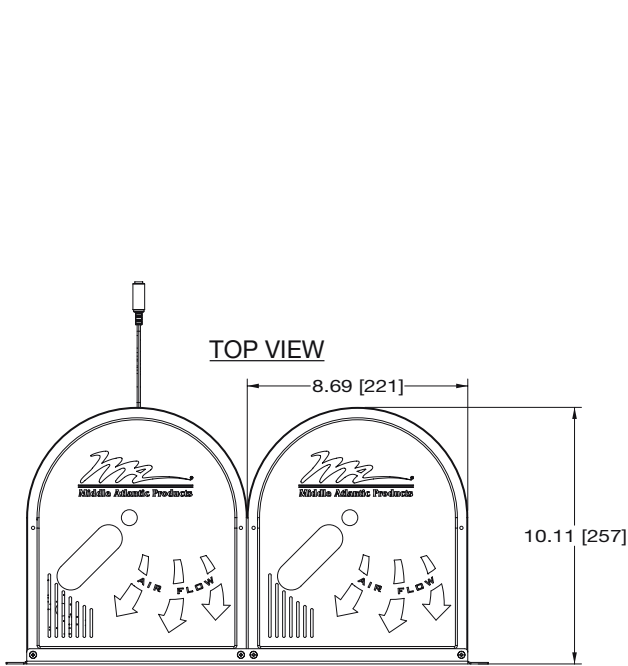


QBP-2 basic dimensions

All dimensions in inches unless otherwise noted [All dimensions in brackets are in millimeters]



NOTE(S):

1. FAN SPECIFICATIONS:
 AIRFLOW: 100 CFM [2.8 M³/MIN]
 CURRENT DRAW: 840mA @ 12 VDC
 SOUND LEVEL: 32 dBA @ 1 M
 STATIC PRESSURE: 0.31 IN H₂O [77.22 Pa]
2. QBP-2A SHOWN. ANODIZED VERSION CONTAINS "A" SUFFIX. INTERNATIONAL MODELS, IQBP-2 AND IQBP-2A, COME WITH UNIVERSAL VOLTAGE PLUG-IN POWER SUPPLY AND ADAPTERS.

