

FastCAM™ Pre-Polished Connectors

APPLICATION

Leviton's new FastCAM Connectors are pre-polished, field-installable connectors that eliminate the need for hand polishing in the field. FastCAM connectors are available in SC or ST, 250 or 900µm, Single-mode or Multimode (50µm and 62.5µm) configurations. FastCAM Connectors provide an immediate termination to either single-mode or multimode fibers.

FEATURES

- Precision mechanical termination
- Fast and easy to install
- No polishing, no epoxy curing, no special tools
- Low insertion loss connection
- Uses proven molded v-groove technologies

STANDARDS COMPLIANCE

Meets TIA/EIA 568B performance requirements

PHYSICAL SPECIFICATIONS

Specifications	
PARAMETER	VALUE
Insertion Loss (Single-mode or Multimode):	Average: 0.2dB, Maximum: 0.5dB
Return Loss (Single-mode):	Average: 56.4 dB, Minimum: 45dB
Operating Temperature:	-40°C to +75°C

DESIGN CONSIDERATIONS

- For use in Data Centers or applications requiring fast network deployment
- Single-mode and multimode versions
- Not recommended for Outside Plant applications/installations



Pictured: SC Connector (above), ST Connector (below)

WARRANTY INFORMATION

For a copy of Leviton product warranties, log on to www.levitonvoicedata.com/warranty.

TYPICAL SPECIFICATION

The mechanical fiber optic connector shall meet or exceed the requirements described in TIA/EIA 568B. Connector shall be of a design that facilitates rapid termination and deployment. Connectors shall be available in both SC and ST, 250 or 900µm, and Single-mode or Multimode (50µm and 62.5µm) configurations. Connector Insertion Loss shall be no greater than 0.5dB, with an average of 0.2dB.

ELECTRONIC FILES

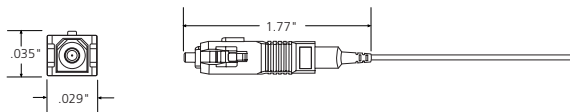
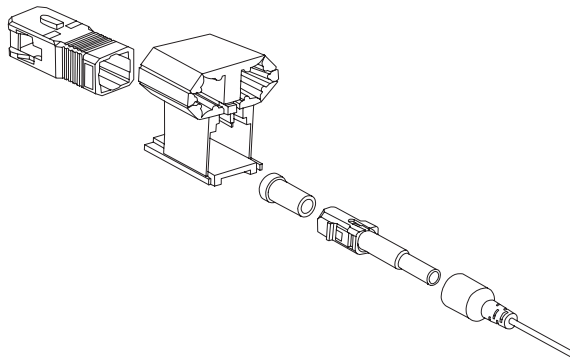
For CAD files, Typical Specs, or Dimensional Line Art (.DXF, .DWG, MS-DOS.eps or .TXT), log on to www.levitonvoicedata.com.

FastCAM™ Pre-Polished Connectors

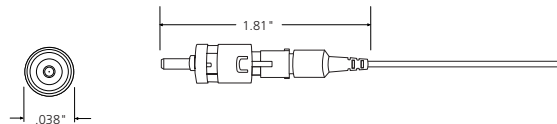
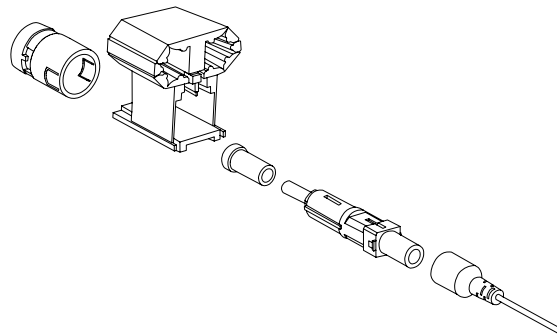
Part Number
49991-XSX, 49996-XSX
49800-XMK

DIMENSIONAL LINE ART

For Dimensional Line Art (.DXF, .DWG, MS-DOS.eps or .TXT), log on to www.levitonvoicedata.com.



SC Connector



ST Connector

Leviton FastCAM Connectors		
Description	1 per bag	6 per bag
FastCAM ST MM 62.5µm	49991-MST	49996-MST
FastCAM ST MM 50µm	49991-5ST	49996-5ST
FastCAM ST SM	49991-SST	49996-SST
FastCAM SC MM 62.5µm	49991-MSC	49996-MSC
FastCAM SC MM 50µm	49991-5SC	49996-5SC
FastCAM SC SM	49991-SSC	49996-SSC

Leviton FastCAM Installation Kits	
Single-mode/Multimode	49800-SMK
Multimode	49800-MMK

NOTE: Installation kits include a cleaver, fiber stripper, and both dry and alcohol-moistened cleaning wipes. Alternative cleavers may be substituted if they achieve a guaranteed maximum cleaving angle of 2° for multimode fibers and 1° for single-mode fibers.