

Keystone Jack Installation Instructions

Prepare cable, cut back sheath to the appropriate length (fig. 1)

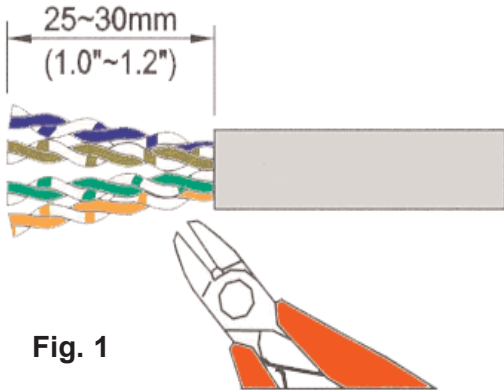


Fig. 1

Lay cable onto outlet and secure with cable tie (fig. 2)

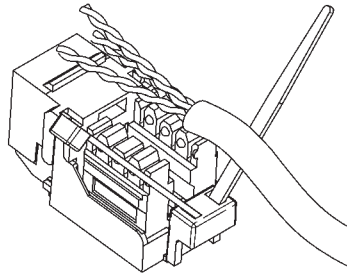
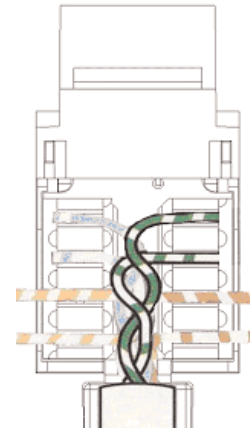


Fig. 2



Punch down pairs nearest to jack first

Fig. 3

Fig. 4 **568B**

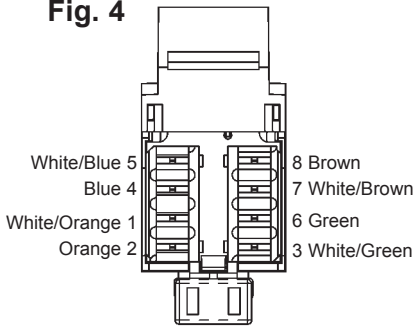
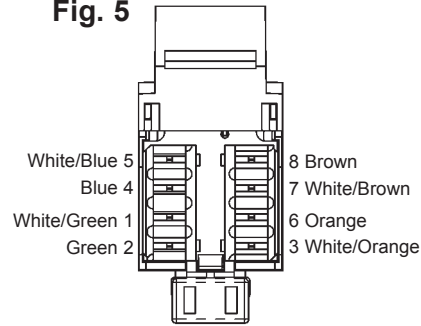


Fig. 5 **568A**



**8P8C
USOC**

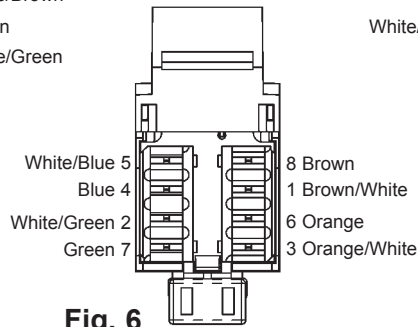


Fig. 6

**CAT 3
6P6C
USOC**

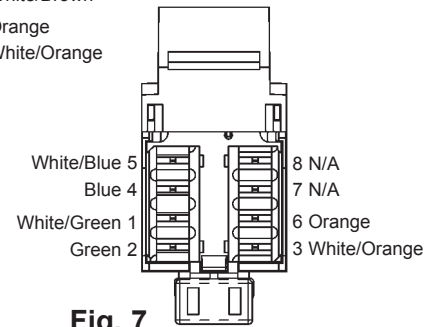


Fig. 7

Fig. 8

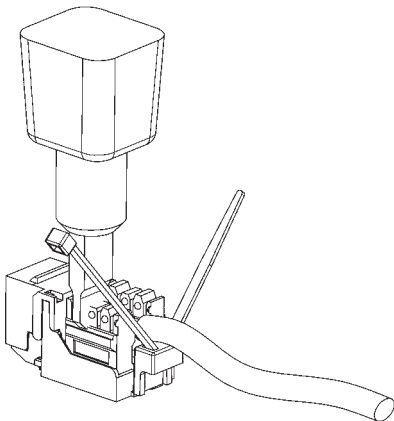


Fig. 9

