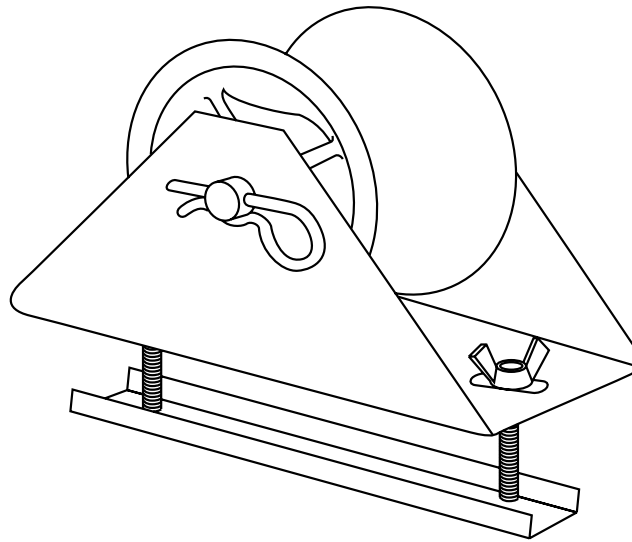


OPERATION, SERVICE AND PARTS INSTRUCTION MANUAL



658 TRAY TYPE SHEAVE

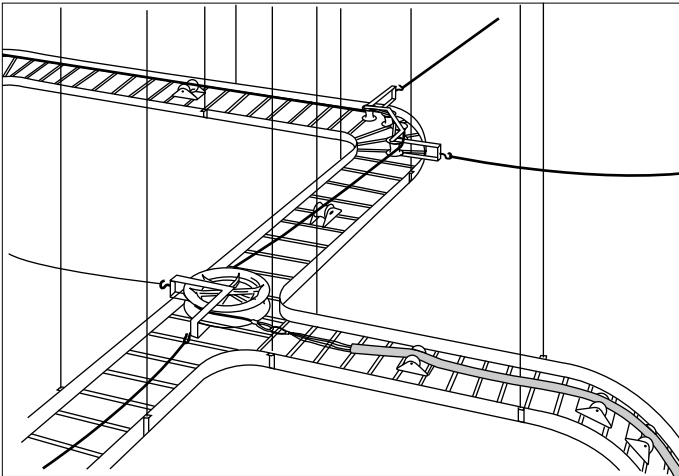


Read and understand this material before operating or servicing this tool. Failure to understand how to safely operate this tool could result in an accident causing serious injury or death. This tool should only be operated by qualified personnel.

Description

The 658 Tray Type Sheave is designed to help roll and guide cable during tray pulls.

Tray-type Pulling Setup



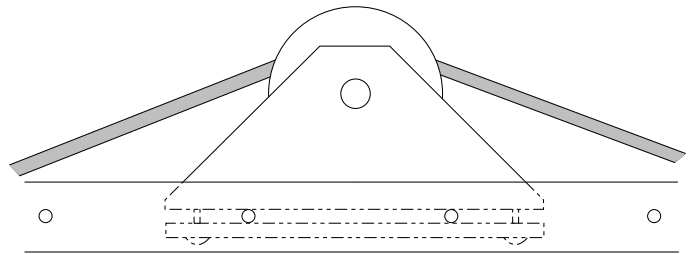
WARNING

- Follow cable tray manufacturer's and cable manufacturer's instructions when pulling cable in tray.
- Read and understand instruction manual included with cable puller.

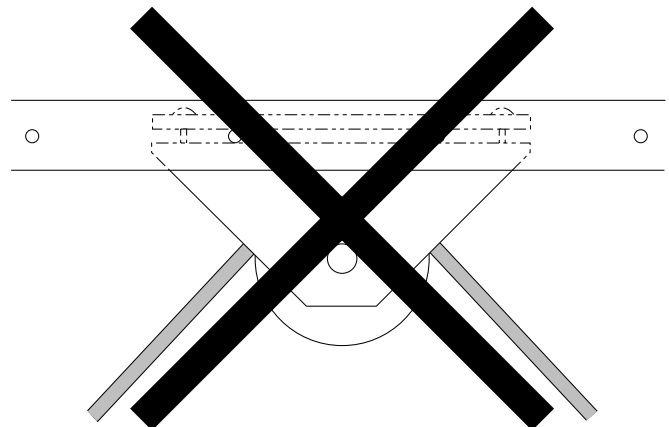
Failure to observe these warnings could result in severe injury or death.

Installation

1. Position the tray frame where needed.
2. Clamp at least 2 of the of the cable tray rungs between the tray frame and clamp plate.
3. Fasten with carriage bolts and wing nuts.

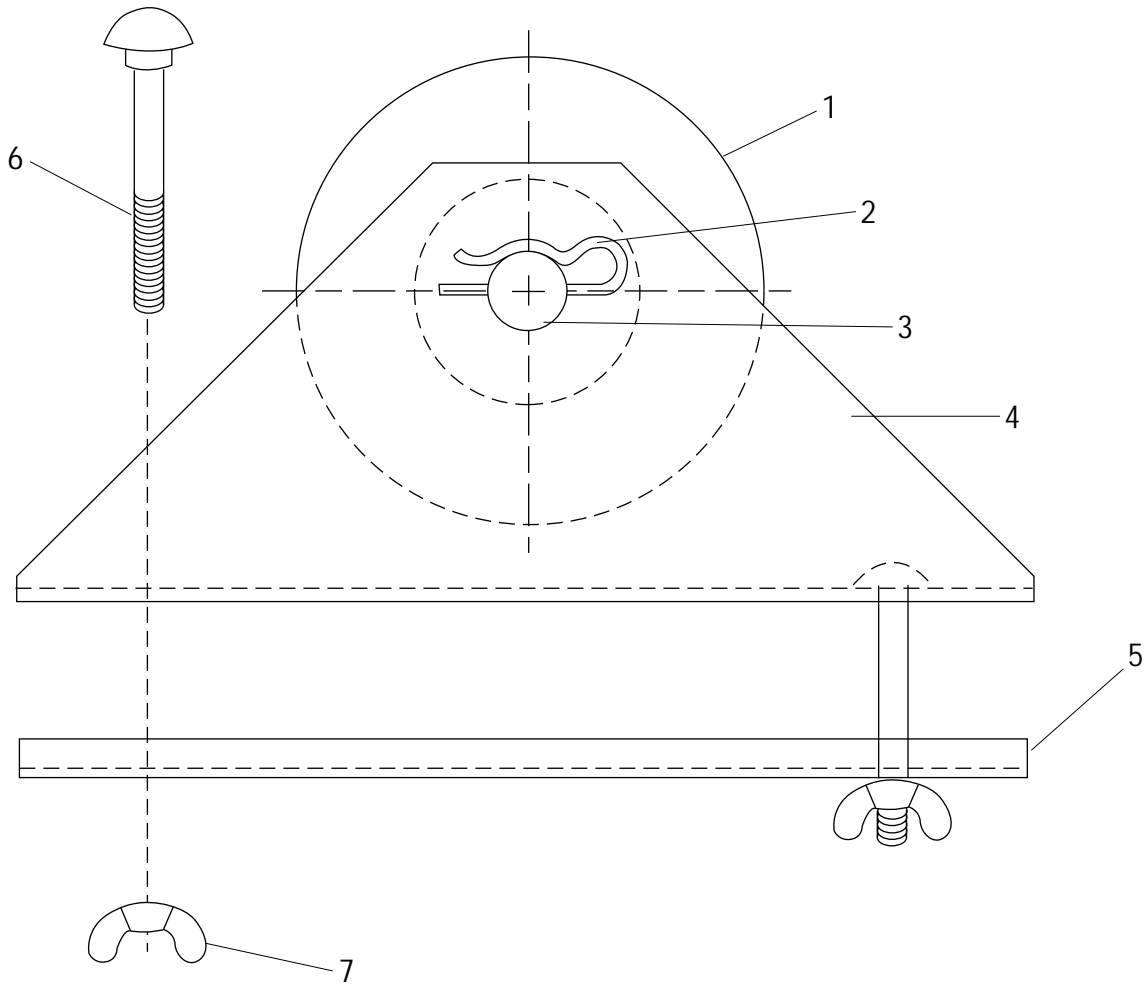


RIGHT WAY



WRONG WAY

658 Tray Type Sheave



Key	Part Number	Description	Qty
1	501 5362.5	Sheave	1
2	905 0302.3	Spring Clip	2
3	501 7323.5	Sheave Pin Unit, 6-1/4" (includes 2 Key #2)	1
4	502 5651.3	Tray Frame	1
5	501 7327.8	Clamp Plate	1
6	501 7324.3	Carriage Bolt 7/16-14 x 3"	2
7	501 7325.1	Wing Nut, 7/16-14	2