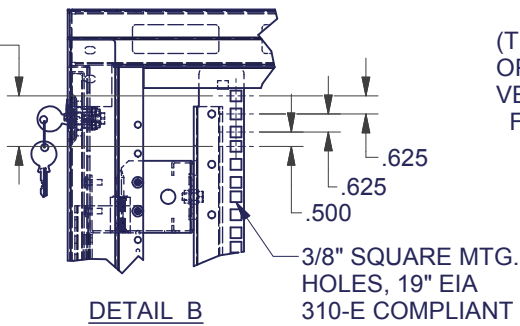
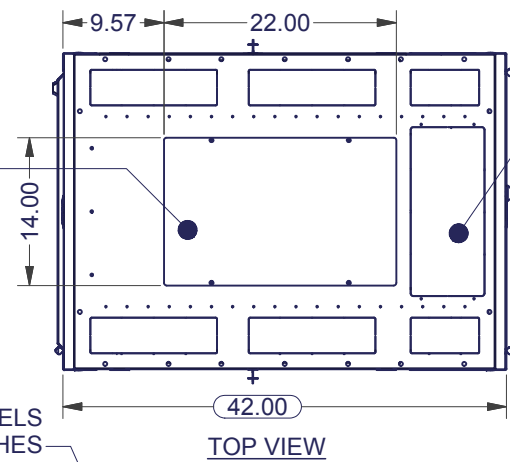


1.750 (1RMU)
REPEATS (42x)



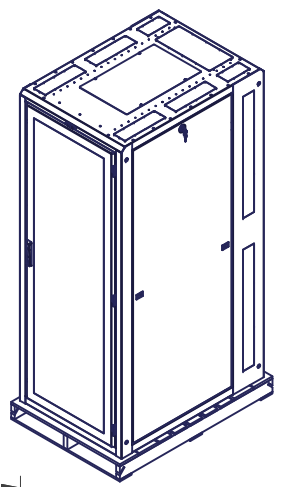
(TPES-S) SOLID TOP PANEL
OPENING OF (273 sq. in.) SOLID,
VENTED, OR w/ (2) EXHAUST FANS
FOR UP TO 1100 CFM AIR FLOW



TOP REAR KNOCKOUT FOR
CABLE ACCESS (112 sq. in.)
OR EXHAUST CHIMNEY

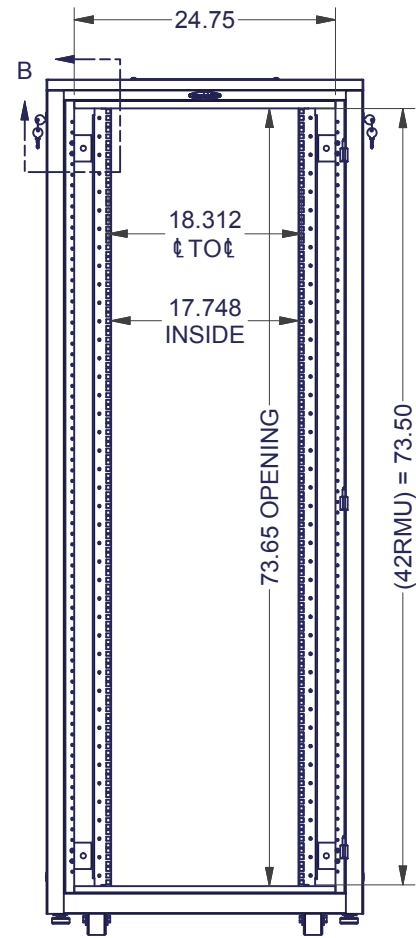
OPTIONAL SPLIT SOLID DOOR
SET (7903E-SS29) w/ EASY 3-PT
LOCKING LATCH IS SHOWN FOR
180° DOOR SWING REFERENCE
(SPLIT MESH AND SPLIT FAN
DOORS ARE ALSO AVAILABLE)

REAR CABLE PASS-THRU
FOR CABINET TO CABINET
w/ (OPT) BRUSH GROMMET

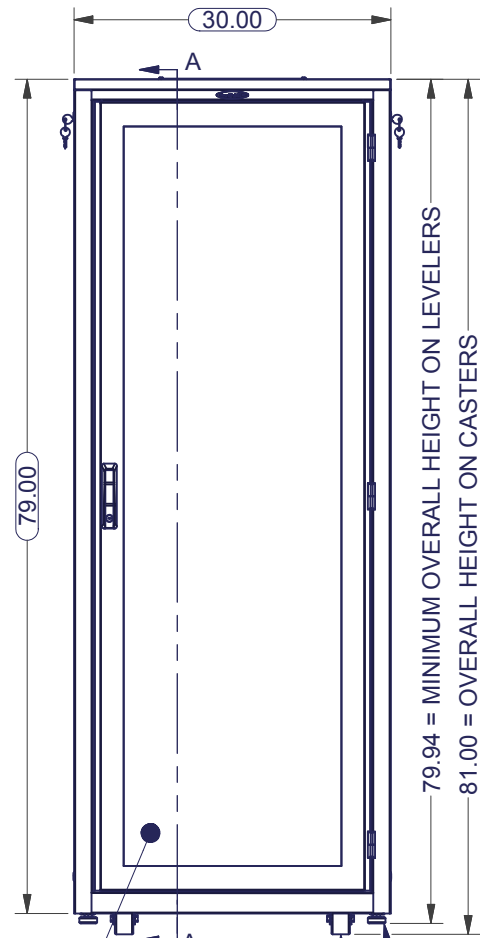


ISO VIEW
(CLOSED w/ PALLET)

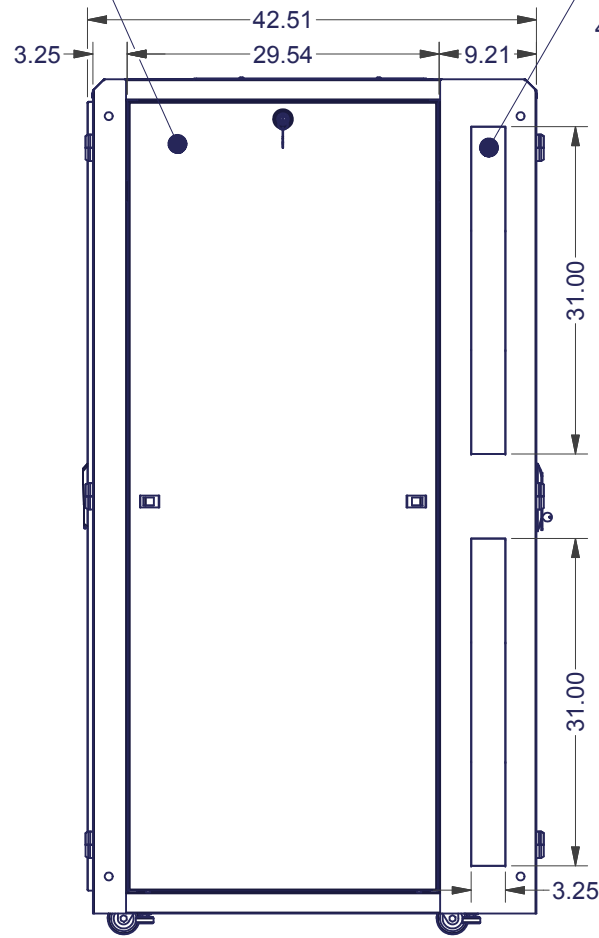
PAIR OF STANDARD SOLID LIFT OFF SIDE PANELS
(7910-36ELS) w/ LOCK & FINGER RELEASE LATCHES



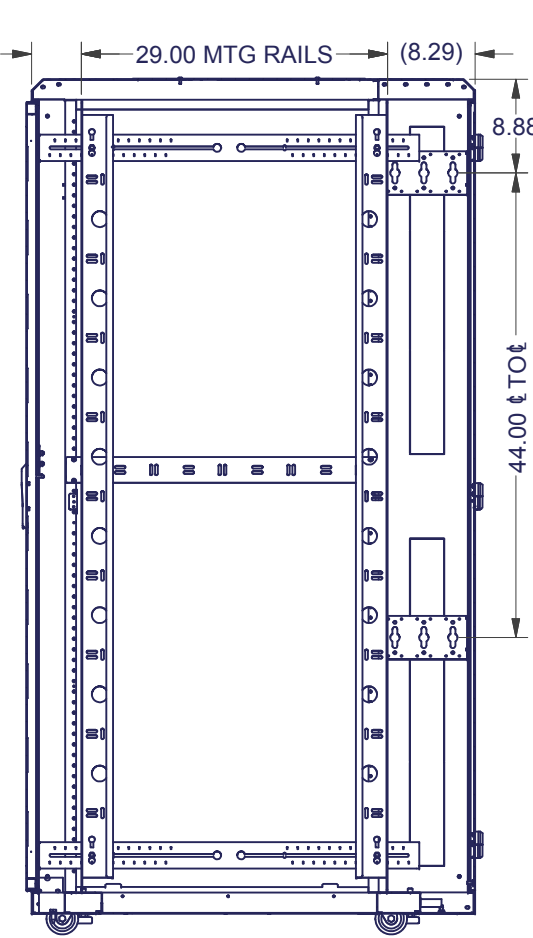
FRONT VIEW
(DOORS REMOVED)



FRONT VIEW



RIGHT SIDE VIEW



SECTION A-A
(RIGHT SIDE VIEW)

STD MESH CONTOUR DOOR
(7902E-MC29) SHOWN FOR 180°
DOOR SWING REFERENCE

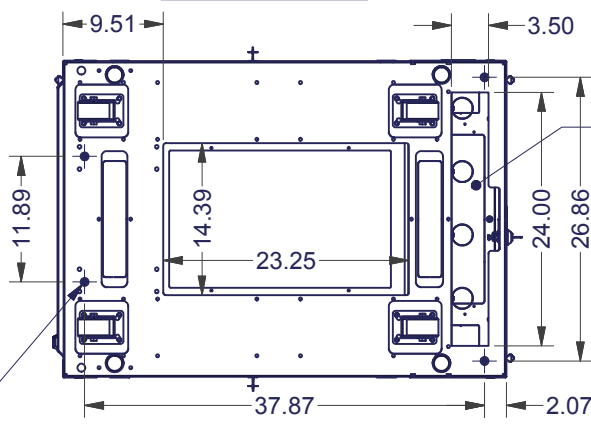
TOP VIEW
(w/ OPEN DOORS)

SUPPLIED AS STANDARD, THE MESH
CONTOUR FRONT DOOR (7902E-MC24)
w/ EASY LATCH LOCKING HANDLE (IS
LIFT-OFF & FIELD-REVERSIBLE)

(4) OPTIONAL
CASTERS AVAILABLE

(4) LEVELING GLIDES ARE
SUPPLIED AS STANDARD,
IN 1/2-20UNC THD. HOLES

Ø0.75" FLOOR
MTG. HOLES



BOTTOM VIEW

REAR BOTTOM
CABLE ACCESS
AREA (84 sq. in.)

SPECIFICATIONS:

DIMENSIONS: 79.0"H (81.0"H w/ OPTIONAL CASTERS) x 30.0"W x 42.0"D

RACK SPACES: 42 RMU w/ NUMBERED RMU INDICATORS, 19" EIA 310-E COMPLIANT.

WEIGHT CAPACITY: 2000 lbs. (BOLTED TO FLOOR, LEVELERS, OR ON CASTERS.)

ENCLOSURE WEIGHT: 396 lbs.

COLOR: DURABLE TEXTURED BLACK POWDERCOATING (STANDARD)

CERTIFICATIONS: UL 60950-1 STANDARD FOR IT. & COMMUNICATIONS EQUIPMENT, ENCLOSURES.

CONSTRUCTION: 2 PAIR MOUNTING RAILS.....#12 GA. C.R.S. FULLY WELDED FRAME...#14 & #12 GA. C.R.S. DOORS, SIDE PANELS, TOP PANEL.#16 C.R.S.

HARDWARE: PACKAGE OF (QTY 50) M6 SCREWS AND CAGE NUTS, INCLUDED.

INTERPRET DRAWING PER ASME Y14.5M-1994
DIMENSIONAL LIMITS APPLY
AFTER APPLICATION OF FINISH
DRAWING NOT TO SCALE
TOLERANCE UNLESS OTHERWISE NOTED:
ANGULAR +/- .1°
.XXXX +/- .010
.XXX +/- .015
.XX +/- .030
.X FOR REF. ONLY
UNLESS OTHERWISE SPECIFIED
ALL DIMENSIONS ARE IN INCHES

NOTICE:

Use of this document is subject to a confidentiality and nondisclosure agreement with Great Lakes Case & Cabinet Co., Inc. (GLCC) and may not be reproduced, disclosed or utilized in whole or in part without prior written authorization from GLCC.

PART NUMBER:	7901ES3042MSS
QTY PER UNIT:	1
MATERIAL TYPE:	CRS
MATERIAL GAUGE:	SEE SPECS.
FINISH:	SEE SPECS.
DRAWN:	1/29/2015
CHECKED:	1/30/2015
WSS	

TITLE	ENHANCED SERVER ENCLOSURE, 42 RMU, 19" EIA, 79"H x 30"W x 42"D		
<small>P.O. BOX 551 EDINBORO, PA 16412 PHONE (814) 734-7303 FAX (814) 734-3907 E-MAIL: glcc@greatcabinets.com</small>			
DWG NO:	790ES-3042MSS	REV	0
		SHEET 1 OF 1	



THIRD ANGLE
PROJECTION