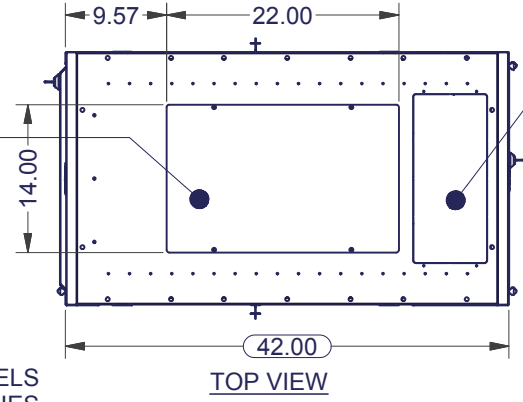
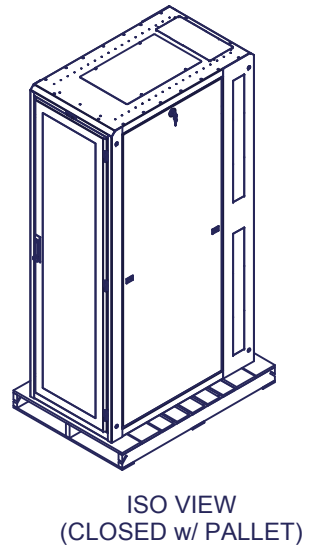
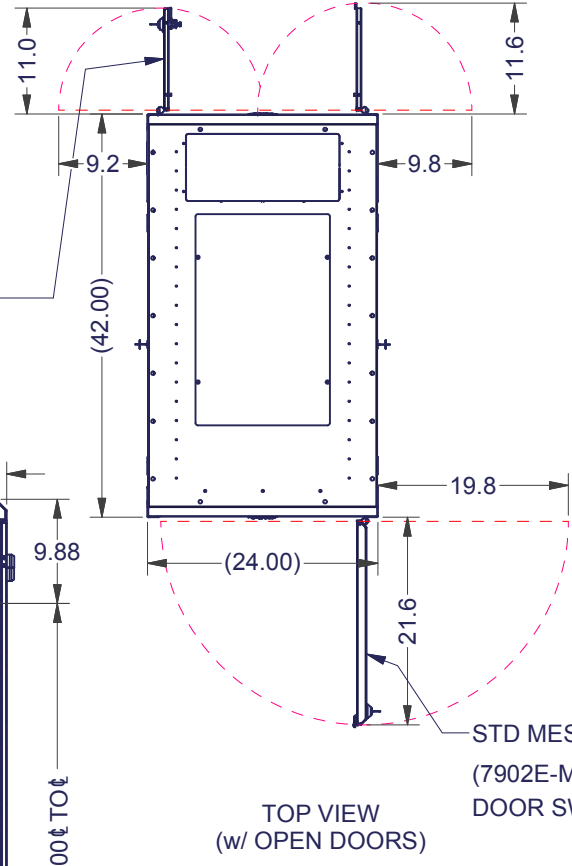


(TPES-S) SOLID TOP PANEL  
 OPENING OF (273 sq. in.) SOLID,  
 VENTED, OR w/ (2) EXHAUST FANS  
 FOR UP TO 1100 CFM AIR FLOW



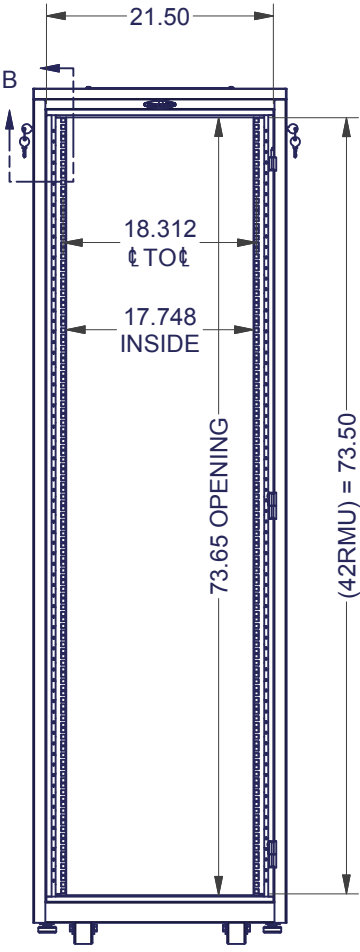
TOP REAR KNOCKOUT FOR  
 CABLE ACCESS (112 sq. in.)  
 OR EXHAUST CHIMNEY

OPTIONAL SPLIT SOLID DOOR  
 SET (7903E-SS24) w/ EASY 3-PT  
 LOCKING LATCH IS SHOWN FOR  
 180\"/>

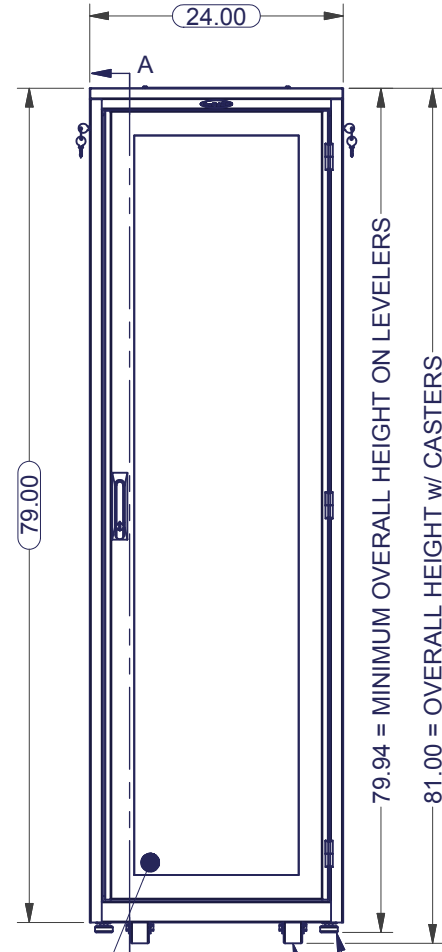


ISO VIEW  
 (CLOSED w/ PALLET)

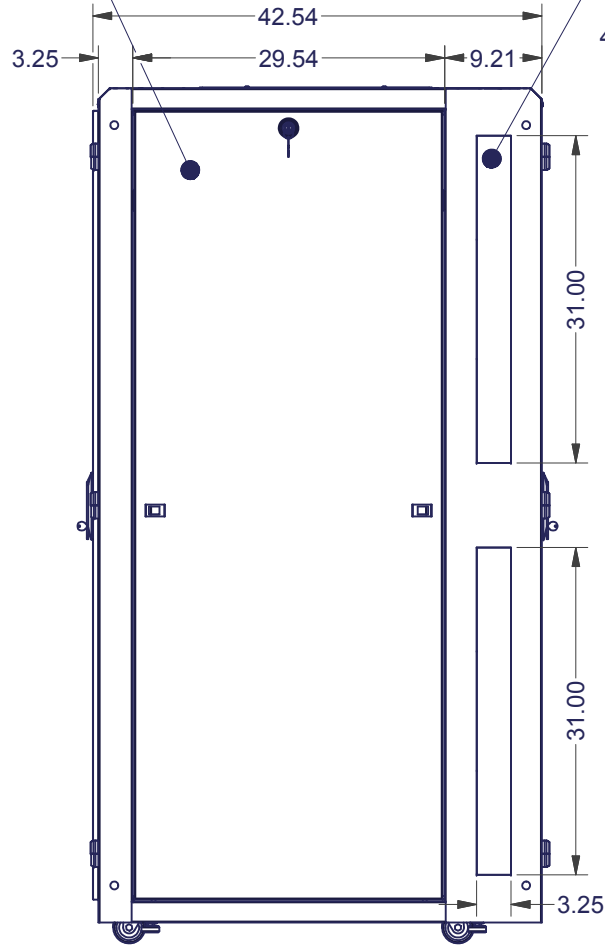
PAIR OF STANDARD SOLID LIFT OFF SIDE PANELS  
 (7910-36ELS) w/ LOCK & FINGER RELEASE LATCHES



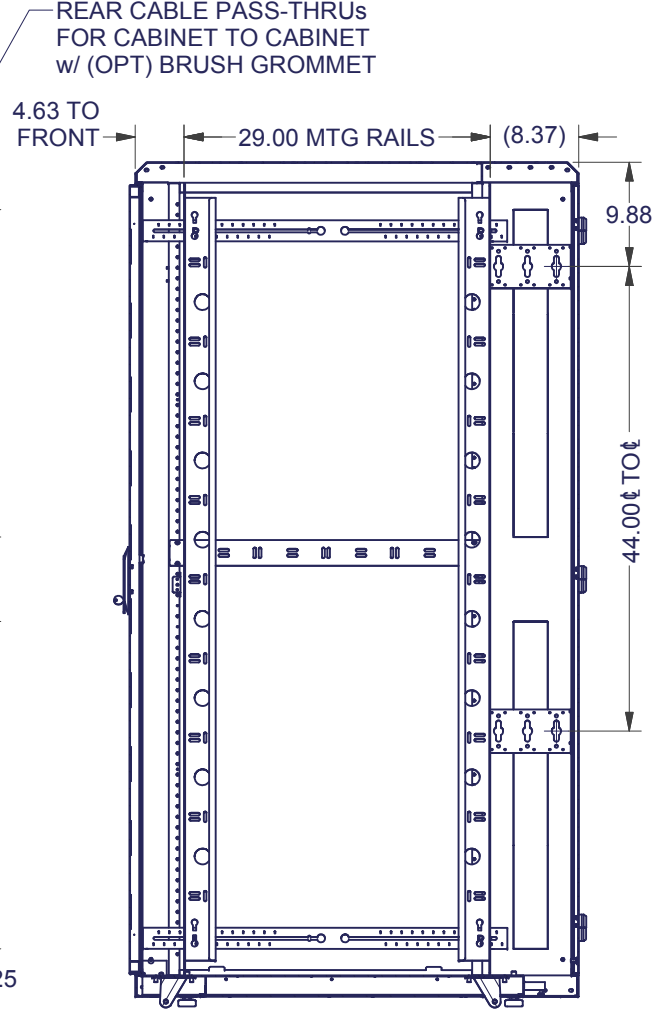
FRONT VIEW  
 (w/ DOORS REMOVED)



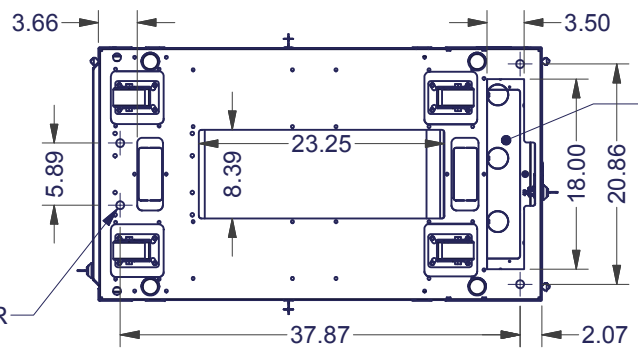
FRONT VIEW



RIGHT SIDE VIEW



SECTION A-A  
 (RIGHT SIDE VIEW)



BOTTOM VIEW

REAR BOTTOM  
 CABLE ACCESS  
 AREA (84 sq. in.)

**SPECIFICATIONS:**

**DIMENSIONS :** 79.0"H (81.0"H w/ OPTIONAL CASTERS) x 24.0"W x 42.0"D

**RACK SPACES :** 42 RMU w/ NUMBERED RMU INDICATORS, 19" EIA 310-E COMPLIANT.

**WEIGHT CAPACITY :** 2000 lbs. (BOLTED TO FLOOR, LEVELERS, OR ON CASTERS.)

**ENCLOSURE WEIGHT =** 384 lbs.

**COLOR :** DURABLE TEXTURED BLACK POWDERCOATING (STANDARD)

**CERTIFICATIONS :** UL 60950-1 STANDARD FOR IT. & COMMUNICATIONS EQUIPMENT, ENCLOSURES.

**CONSTRUCTION :** 2 PAIR MOUNTING RAILS.....#12 GA. C.R.S. FULLY WELDED FRAME....#14 & #12 GA. C.R.S. DOORS, SIDE PANELS, TOP PANEL..#16 C.R.S.

**HARDWARE :** PACKAGE OF (QTY 50) M6 SCREWS AND CAGE NUTS, INCLUDED.

SUPPLIED AS STANDARD, THE MESH CONTOUR FRONT DOOR (7902E-MC24) IS LIFT-OFF & FIELD-REVERSIBLE

(4) OPTIONAL CASTERS AVAILABLE

(4) LEVELING GLIDES ARE SUPPLIED AS STANDARD, IN 1/2-20UNC THD. HOLES

INTERPRET DRAWING PER ASME Y14.5M-1994  
 DIMENSIONAL LIMITS APPLY AFTER APPLICATION OF FINISH  
 DRAWING NOT TO SCALE  
 TOLERANCE UNLESS OTHERWISE NOTED:  
 ANGULAR +/- 1'  
 .XXXX +/- .010  
 .XXX +/- .015  
 .XX +/- .030  
 X FOR REF. ONLY

**NOTICE:**  
 Use of this document is subject to a confidentiality and nondisclosure agreement with Great Lakes Case & Cabinet Co., Inc. (GLCC) and may not be reproduced, disclosed or utilized in whole or in part without prior written authorization from GLCC.

PART NUMBER:	7901ES2442MSS
QTY PER UNIT:	1
MATERIAL TYPE:	CRS
MATERIAL GAUGE:	SEE SPECS.
FINISH:	SEE SPECS.
DRAWN:	FED 1/29/2015
CHECKED:	WSS 1/30/2015

TITLE	ENHANCED SERVER ENCLOSURE, 42 RMU, 19" EIA, 79"H x 24"W x 42"D
<small>P.O. BOX 551 EDINBORO, PA 16412          PHONE (814) 734-7303 FAX (814) 734-3907 E-MAIL: glcc@greatcabinets.com</small>	
DWG NO:	790ES-2442MSS
REV	0
SHEET	1 OF 1



UNLESS OTHERWISE SPECIFIED ALL DIMENSIONS ARE IN INCHES