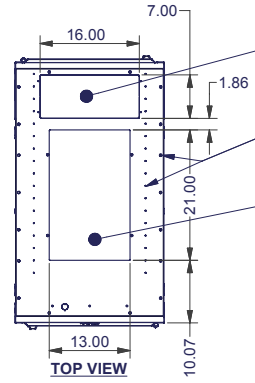
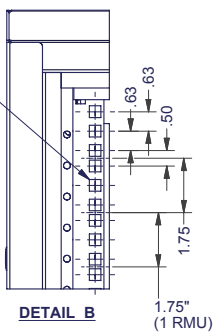


3/8" SQUARE
MTG. HOLES
19" EIA 310-D
COMPLIANT



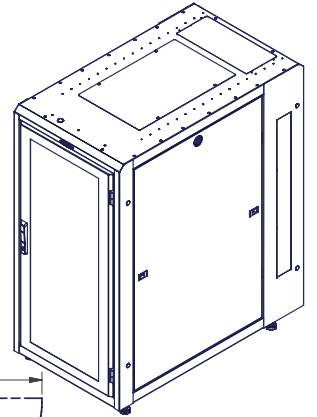
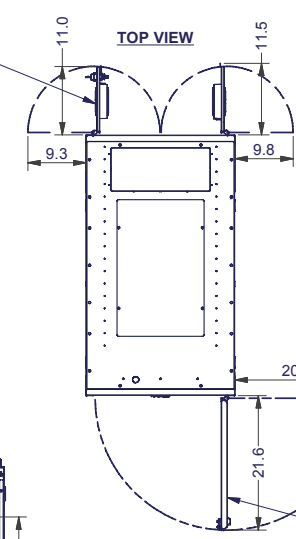
TOP REAR KNOCKOUT
FOR CABLE ACCESS (112 sq.in.)
OR
CHIMNEY EXHAUST

INDEPENDENT MOUNTING LOCATIONS
FOR LADDER RACK BRACKETS OR TOP MOUNTED CABLE TROUGHS

TOP PANEL OPENING (273 sq.in.)
SOLID, VENTED, OR WITH EXHAUST FANS
UP TO 1100 CFM.

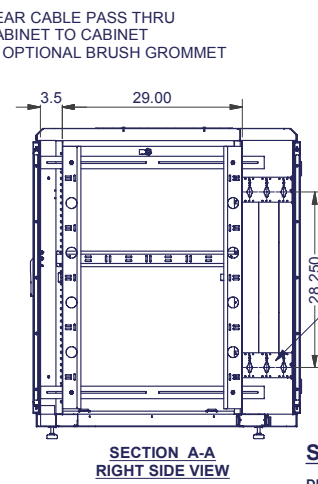
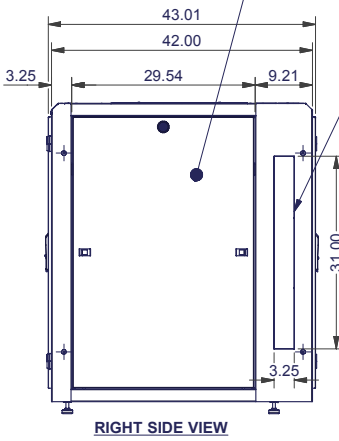
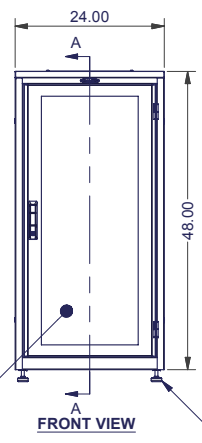
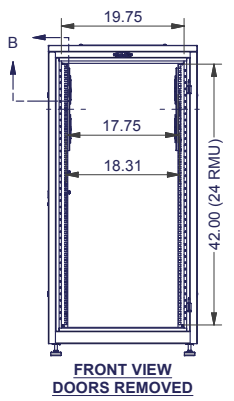
PAIR OF SOLID LIFT OFF SIDE PANELS
w/ LOCK & FINGER RELEASE LATCHES

OPTIONAL SPLIT FAN DOORS
4803E-SF24
SHOWN FOR REFERENCE
180° DOOR SWING



STANDARD MESH CONTOUR DOOR
SHOWN FOR REFERENCE
180° DOOR SWING.

UNIVERSAL POWER STRIP MOUNTING BRACKETS
KEYED BUTTON MOUNTING.
WILL ACCEPT 3 PDU's, 35"L (MAX.) x 2.5"W PER SIDE.



REAR CABLE PASS THRU
CABINET TO CABINET
w/ OPTIONAL BRUSH GROMMET

SPECIFICATIONS:

DIMENSIONS: 48.0"H (50.0"H w/ OPTIONAL CASTERS) x 24.0"W x 42.0"D

RACK SPACES: 24 RMU w/ NUMBERED RMU INDICATORS, 19" EIA 310-D COMPLIANT.

WEIGHT CAPACITY: 2000 lbs. (BOLTED TO FLOOR, LEVELERS, OR ON CASTERS.)

COLOR: DURABLE TEXTURED BLACK POWDER COATING

CERTIFICATIONS: UL 60950-1 STANDARD FOR I.T. & COMMUNICATIONS EQ., ENCLOSURES.

CONSTRUCTION: 2 PAIR MOUNTING RAILS, #12 GA. C.R.S.
FULLY WELDED FRAME, #14 & #12 GA. C.R.S.
DOORS, SIDE PANELS, TOP PANEL, #16 C.R.S.

HARDWARE: PACKAGE OF QTY-30; M6 SCREWS AND CAGE NUTS, INCLUDED.

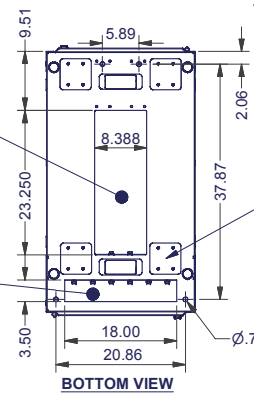
MESH CONTOUR DOORS
FRONT AND REAR w/
EASY LATCH LOCKING HANDLES
LIFT OFF & FIELD REVERSIBLE

LEVELING GLIDES (4 INCLUDED)
1/2-13 UNC THREADED HOLES.

CENTER BOTTOM CABLE
ACCESS AREA (195 sq.in.)

OPTIONAL CASTER MOUNTING LOCATIONS

REAR BOTTOM CABLE
ACCESS AREA (63 sq.in.)



INTERPRET DRAWING PER ASME Y14.5M-1994
DIMENSIONAL LIMITS APPLY
AFTER APPLICATION OF FINISH
DRAWING NOT TO SCALE
TOLERANCE UNLESS OTHERWISE NOTED:
ANGULAR ± .1°
3XXX ± .010
XXX ± .015
XX ± .030
X FOR REF. ONLY
UNLESS OTHERWISE SPECIFIED
ALL DIMENSIONS ARE IN INCHES

NOTICE:
Use of this document is subject to
a confidentiality and nondisclosure
agreement with Great Lakes Case
& Cabinet Co., Inc. (GLCC) and may
not be reproduced, disclosed or
utilized in whole or in part without
prior written authorization from GLCC.

PART NUMBER:	GL480ES-2442MS
QTY PER UNIT:	1
MATERIAL TYPE:	
MATERIAL GAUGE:	
FINISH:	
DRAWN:	9/14/07
CHECKED:	JAL
DATE:	9/14/07

TITLE:	ENHANCED SERVER ENC, 24 RMU, 19" EIA
<small>P.O. BOX 551 EDINBORO, PA 16412 PHONE (814) 734-7303 FAX (814) 734-3907 E-MAIL: glcc@greatlakes.com</small>	
DWG NO:	GL480ES-2442
REV:	0
SHEET	1 OF 1

