

Enhanced Series Enclosure Features

- 37 RMU, 19" EIA 310-D Compliant
- Fully Welded Steel Construction #16 Gauge Steel
- Universal M6 Cage Nut Rails Standard (10/32 Tapped Rails Available) #12 Gauge Steel
- Rack Mounting Hardware Included
- Rails are Infinitely Adjustable, Front to Rear (Max. Rail Spacing is Cabinet Depth minus 2 inches)
- Rails with RMU Markings
- TRC (True Rail Count) Rails
This certifies that the number of RMU are true and all accessible within the door opening.
- Total of Three 10/32 x 1.5" Copper Plated Grounding Studs (One in bottom, two in top)
- Weight Capacity: 1500 lbs. on levelers, bolted to floor, or on heavy duty casters
- Durable Powder Coat Finish
- Field Reversible Door Hinges (No Additional Hardware Required)
- Optional Features:
 - Cable Lacing Bars
 - Ganging Hardware (No Tools Required)
 - Anti-tip Legs
 - Variety of Top, Bottom, & Side Panels

INTERPRET DRAWING PER ASME Y14.5M-1994
DIMENSIONAL LIMITS APPLY AFTER APPLICATION OF FINISH
DRAWING NOT TO SCALE
TOLERANCE UNLESS OTHERWISE NOTED: ANGULAR +/- 1° .XXXX +/- .010 .XXX +/- .015 .XX +/- .030 .X FOR REF. ONLY
UNLESS OTHERWISE SPECIFIED ALL DIMENSIONS ARE IN INCHES

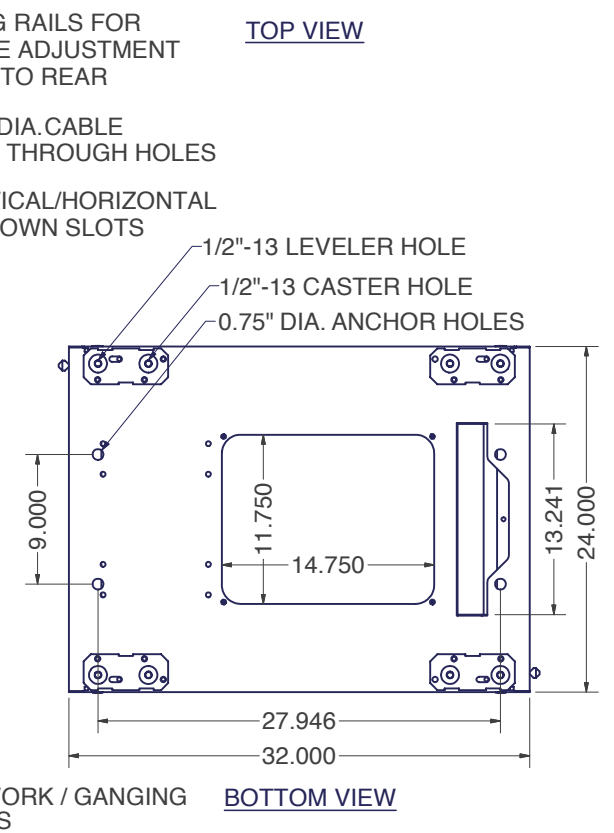
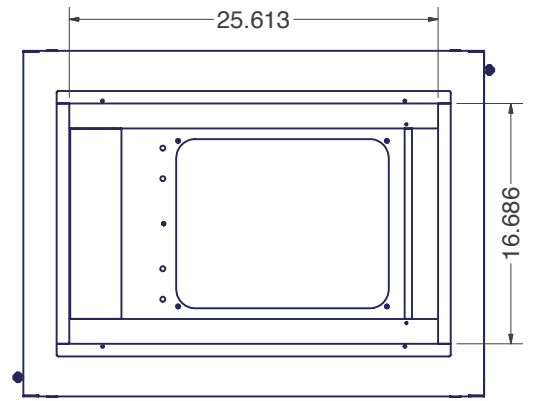
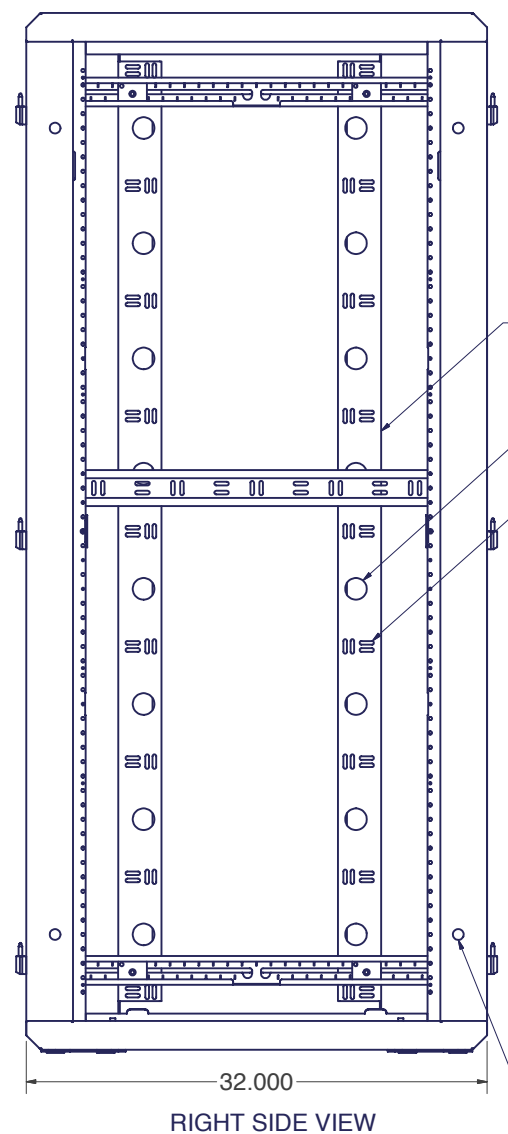
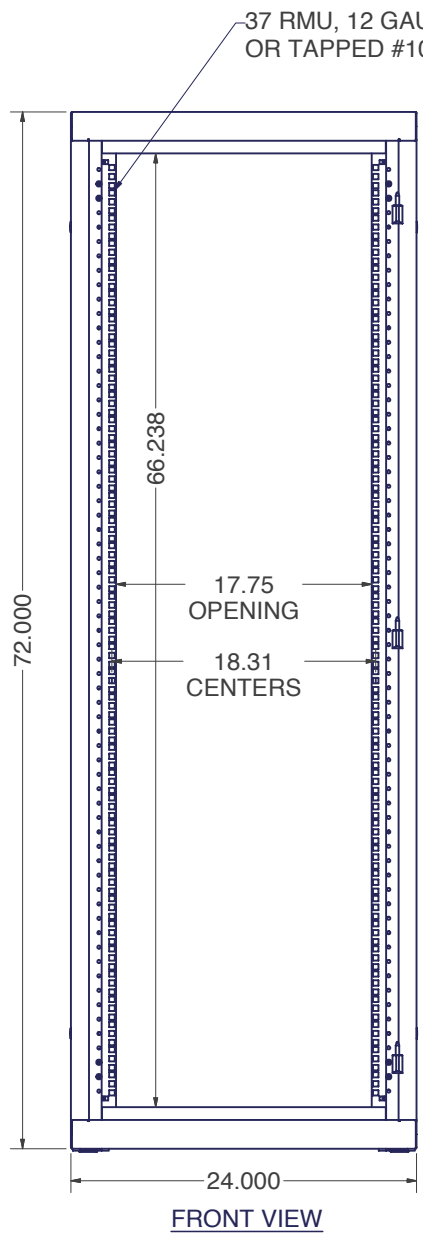
NOTICE:

Use of this document is subject to a confidentiality and nondisclosure agreement with Great Lakes Case & Cabinet Co., Inc. (GLCC) and may not be reproduced, disclosed or utilized in whole or in part without prior written authorization from GLCC.

PART NUMBER: 7201E2432	
QTY PER UNIT:	1
MATERIAL TYPE:	
MATERIAL GAUGE:	
FINISH:	
DRAWN	DATE
CA	8/21/2002
CHECKED & APP.	DATE

TITLE BASE UNIT ASSEMBLY - 72" H X 24" W X 32" D E CABINET	
GREAT LAKES CASE & CABINET CO., INC. P.O. BOX 551 EDINBORO, PA 16412 PHONE (814) 734-7303 FAX (814) 734-3907 E-MAIL glcc@greatcabinets.com	
DWG NO:	REV
	14
SHEET: 1 OF 2	





SLIDING RAILS FOR INFINITE ADJUSTMENT FRONT TO REAR

1.50" DIA. CABLE PASS THROUGH HOLES

VERTICAL/HORIZONTAL TIE-DOWN SLOTS

1/2"-13 LEVELER HOLE

1/2"-13 CASTER HOLE

0.75" DIA. ANCHOR HOLES

NETWORK / GANGING HOLES

INTERPRET DRAWING PER ASME Y14.5M-1994
DIMENSIONAL LIMITS APPLY AFTER APPLICATION OF FINISH
DRAWING NOT TO SCALE
TOLERANCE UNLESS OTHERWISE NOTED:
ANGULAR +/- 1-
.XXXX +/- .010
.XXX +/- .015
.XX +/- .030
.X FOR REF. ONLY
UNLESS OTHERWISE SPECIFIED ALL DIMENSIONS ARE IN INCHES

NOTICE:
Use of this document is subject to a confidentiality and nondisclosure agreement with Great Lakes Case & Cabinet Co., Inc. (GLCC) and may not be reproduced, disclosed or utilized in whole or in part without prior written authorization from GLCC.

PART NUMBER:	7201E2432
QTY PER UNIT:	1
MATERIAL TYPE:	-
MATERIAL GAUGE:	-
FINISH:	-
DRAWN	DATE
CA	8/21/2002
CHECKED & APP.	DATE
WSS	5-24-05

TITLE		
BASE UNIT ASSEMBLY - 72" H X 24" W X 32" D E CABINET		
GREAT LAKES CASE & CABINET CO., INC.		
P.O. BOX 551 EDINBORO, PA 16412		
PHONE (814) 734-7303 FAX (814) 734-3907		
E-MAIL glcc@greatcabinets.com		
DWG NO:	REV	SHEET: 2 OF 2
7201E2432	14	

