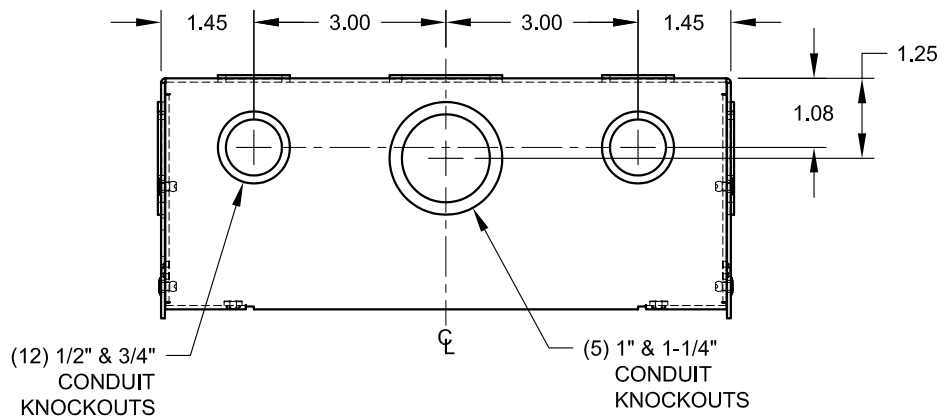


4 3 2 1

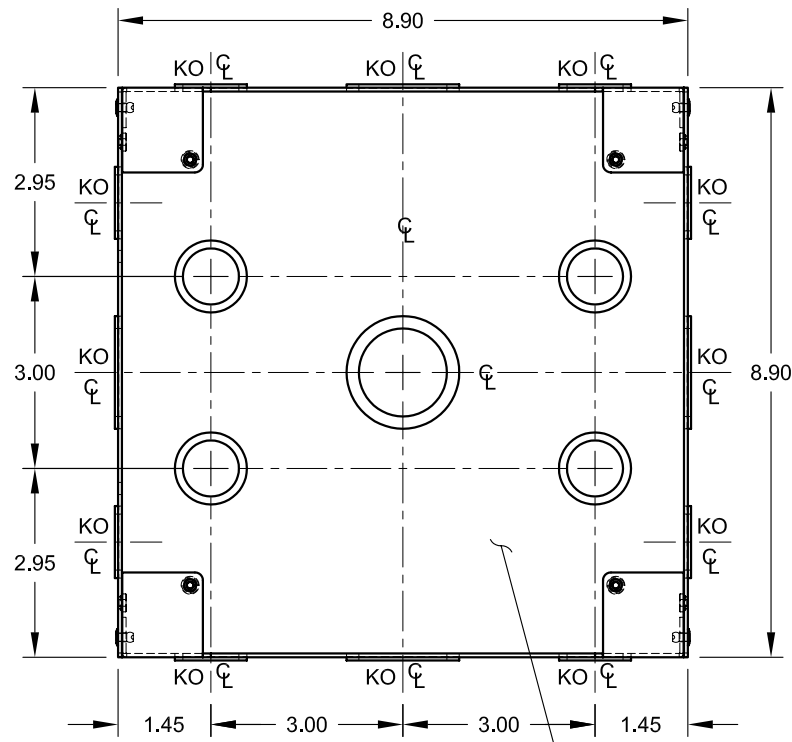
C

C



B

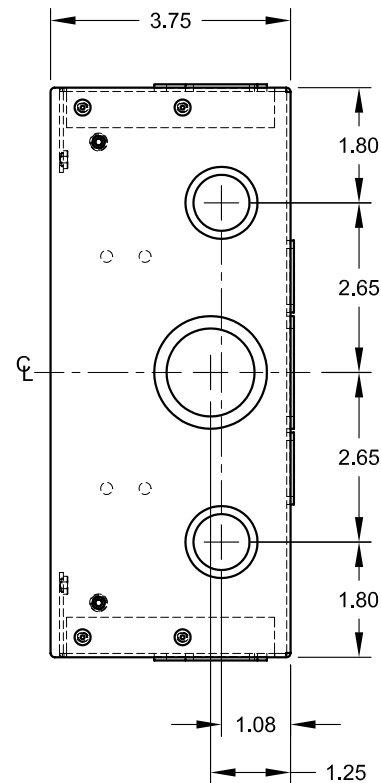
B



A

A

INTERNAL VOLUME:  
279.9 cu.in.



**FSR inc.**  
 244 BERGEN BLVD.  
 WOODLAND PARK, NJ 07424  
 TEL (973) 785-4347  
 FAX (973) 785-3318

TITLE: WB-4G-4		
DRAWN BY: JRE	DATE: 12/16/09	REV: -
DWG#: WB-4G-4	PAGE: 1 OF 1	SCALE: 1:3

4 3 2 1