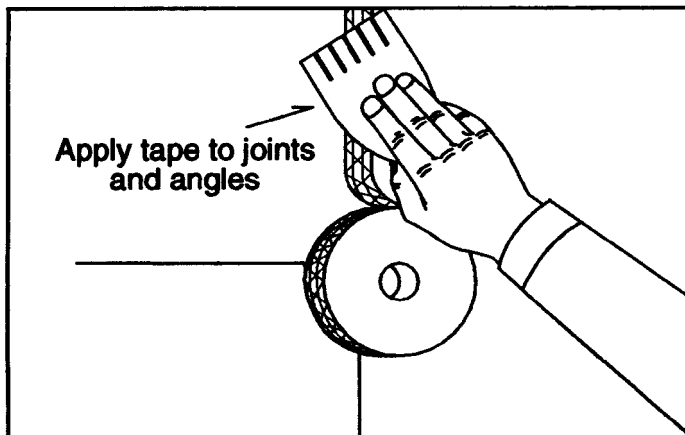
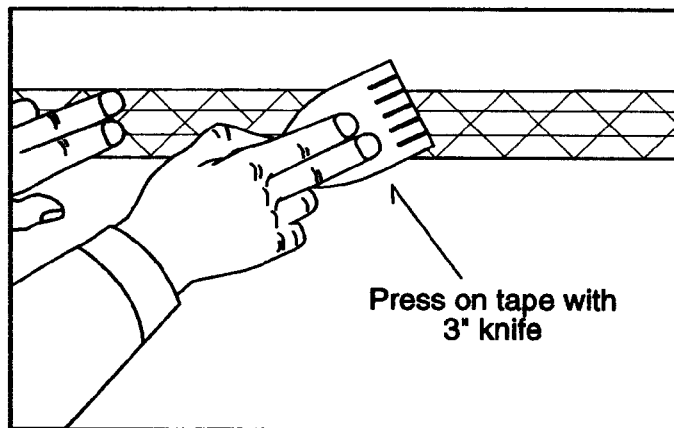


E-Z Taping System[®] Fire Tape[®]

Mudless Drywall Tape Application Instructions



Apply Fire Tape to joints and angles of clean, dry, fire rated drywall products only. Be sure the pressure sensitive adhesive contacts the gypsum board at all times.



Apply sufficient pressure to the tape with the E-Z Tape 3" plastic knife to aggressively adhere the tape to the gypsum board. Usage of your hand or any other tool will not get sufficient adhesion of the Fire Tape to the gypsum board. Use a corner roller to adhere tape in the angles.

REQUIREMENTS AND NOTICES FOR USING FIRE TAPE[®]

1. EZ Taping System Fire Tape is for use on vertical or horizontal joints of interior, nonload-bearing, one-hour fire resistance-rated steel and wood framed assemblies under Section 2508.4 of the IBC, Section R321.1 of the IRC and Section 2511.5 of the UBC. It is not rated for ceilings. It is also rated for two hour fire rated vertically hung wall systems.
2. Fire Tape is designed to cover or bridge normal tight butted joints and angles (1/8"-1/4"). It is not to be used to cover wide joint gaps, large holes, or substitute in any way for fire rated gypsum board.
3. Fire Tape must be applied to clean and dry surfaces. Wipe off excessive dust from the gypsum board before applying.
4. Fire Tape can be applied on wood and steel fire resistive assemblies consistent with U 465 and GA 1200 constructions.
5. Fire Tape, approved gypsum board, and air temperature must be at or above 30 degrees Fahrenheit to achieve proper adhesion. Tape must be maintained at or above 55 degrees Fahrenheit prior to application.
6. The surface of the Fire Tape is treated with silicone and mud or paint will not adhere to it. If you need to disguise the color of the Fire Tape on exposed walls, we recommend using a primer called Zinsser, Bulls Eye Odorless to coat over it. Once the Zinsser is dry, a latex paint or mud can be applied.
7. Do not overlap the Fire Tape. The silicone on the surface of the tape will not allow it to adhere to itself.

Visit our website at www.eztapingsystem.com

FIRE TESTING AND COMPLIANCE INFORMATION

Reports of tests in accordance with ASTM E119, C474 and C475, and the ICC-ES Interim Criteria for Adhesively Attached Drywall Tape (AC119), dated July 1996 and UBC Standard 7-1. The test assembly was constructed according to both U 465 and GA 1200 design.

Rated for use by:
ICC Evaluation Services, Inc.
(ESR-1231)

The tests for 2 Hr. rating were conducted to meet UBC Standard 7-1-1994, ASTM E119, CAN/ULC-S101, NFPA 251, and UL 263 procedures.

*Testing conducted by Intertek Testing Services, Warnock Hersey, Inc. 1995.