

45-0023 Recessed Pro-Power Kit with Straight Blade Inlet

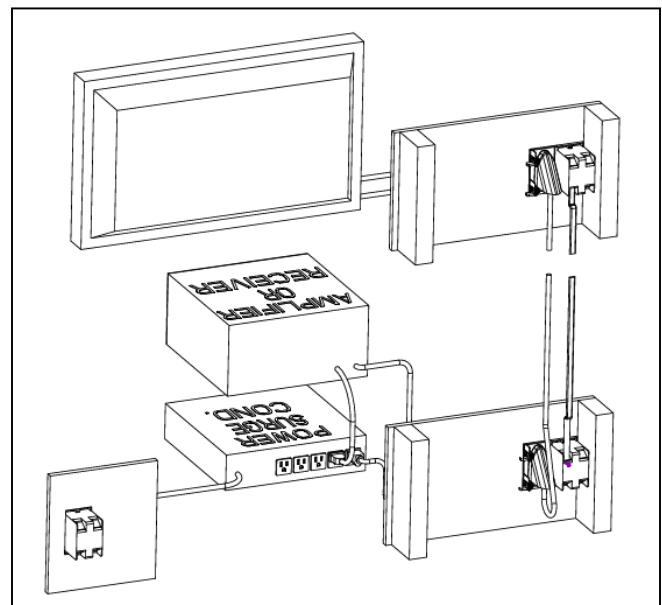
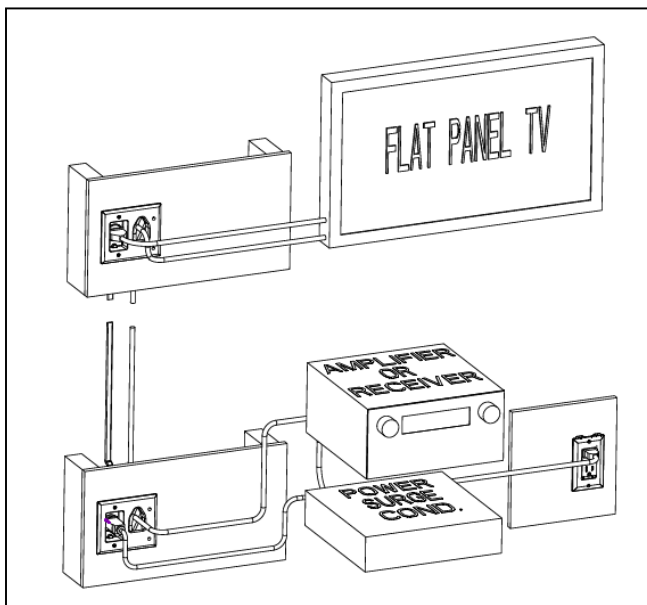
Introducing DataComm Electronics' new Recessed Pro-Power Cable Kit with Straight Blade Inlet. Use our Recessed Low Voltage Cable Plate with Recessed Straight Blade Inlet to install power and low voltage cables from behind your flat panel TV, your amplifier or other audio and video devices to your equipment room. The 45-0023 Recessed Pro-Power Cable Kit can be installed upright or upside down.

Using the National Electrical Compliant approved installation, pull an approved 14/2 with ground or 12/2 with ground building wire cable from the installed Recessed Low Voltage Cable Plate with Power to the selected site in the equipment room. Install a new or old workbox before installing the Recessed Pro-Power Cable Plate with Straight Blade Inlet.

This is a non-energized connection. To energize this connection, simply plug the supplied 6 ft. straight blade extension cord into the recessed straight blade inlet and plug the straight blade end of the extension cord into your rack mounted surge protector.



45-0021-WH Plate, 45-0023-WH Plate & 6 Ft. Straight Blade Extension Cord



U.S. Patent Numbers D553475, D554475, D568719, 11/355,553

Multiple Patents Pending

The Receptacle is an UR, UL Recognized Component



3026001

CAN/CSA STD C22.2 NO. 42.1

ETL LISTED
CONFORMS TO
UL STD 514C
CERTIFIED TO