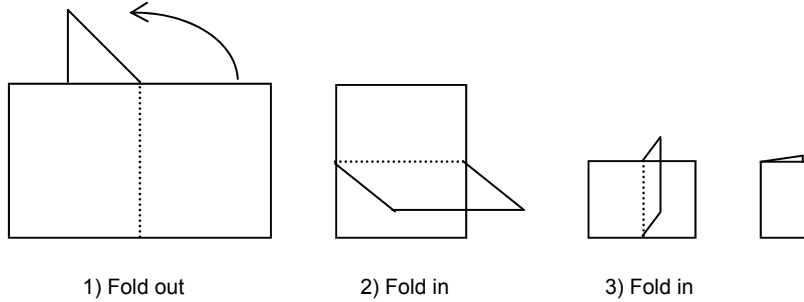


Folding Instructions

Follow these simple steps:



1) Fold out

2) Fold in

3) Fold in

First fold out (back)
Text on outside

1

Second fold in (over)
Folding instructions on inside

2

Last fold in (over)
Features and benefits on inside

3

Advantages:

- Standard TNP528 employs a black matte finish. TNP528C is also available in brushed aluminum and the black Reflection Series mirror finishes.
- TNP528 Interconnect Box makes the tabletop connection point attractive—creating a high-tech visual aesthetic that compliments the décor of any boardroom / presentation space.
- All TNP528 connectors have 6-foot (2 m) cables attached that feed through to the bottom of the unit .
- In its closed position, the TNP528's top panel lies flush with the table's top. TNP528's input plate is accessed by pushing down on the top cover. Unit then auto-tilts open with assistance from the new leaf-spring mechanism.

Pocket Pitch

Altinex

Altinex TNP528 / TNP528C Interconnect Boxes



Description: A compact interconnect solution designed for mounting into tables, podiums, or other furniture as part of an AV presentation system.

Target Customer: A/V Integrators & Technology Managers.

Target Installations: Conference facilities, boardrooms, presentation spaces, and similar venues.

ALTINEX®

Benefit	Feature
Easy connectivity.	TNP528 / TNP528C Interconnect Boxes
A pre-configured, compact hybrid interconnect solution with Digital (HDMI®) and Analog (VGA) interconnects, plus network and USB connectors.	
New leaf-spring mechanism.	
Provides a long service life, smooth operation, a magnetic latch, and easy installation.	
Ensures the highest standard of electrical safety.	
Includes two U.S. power receptacles (12 Amps).	
Versatile input configuration.	Standard sectional plate contains one USB Type A, two VGA video, two HDMI, two 3.5 mm audio, and two RJ-45 CAT-6 network connectors.
Customization available.	TNP528C is the customizable version. Unit can be outfitted with a wide range of available connector options—all factory-configured and terminated. Call Altinex customer service at 1-800-ALTINEX or visit the company's website .