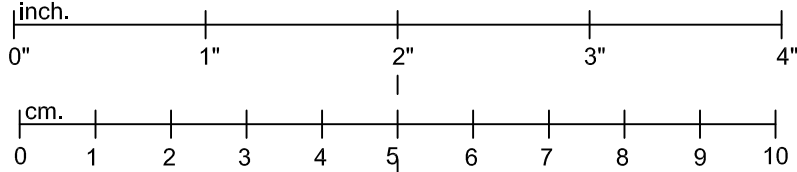


1. STOP

VERIFY ALL DIMENSIONS TO ENSURE THAT THIS PRINT IS 1 TO 1 SCALE.



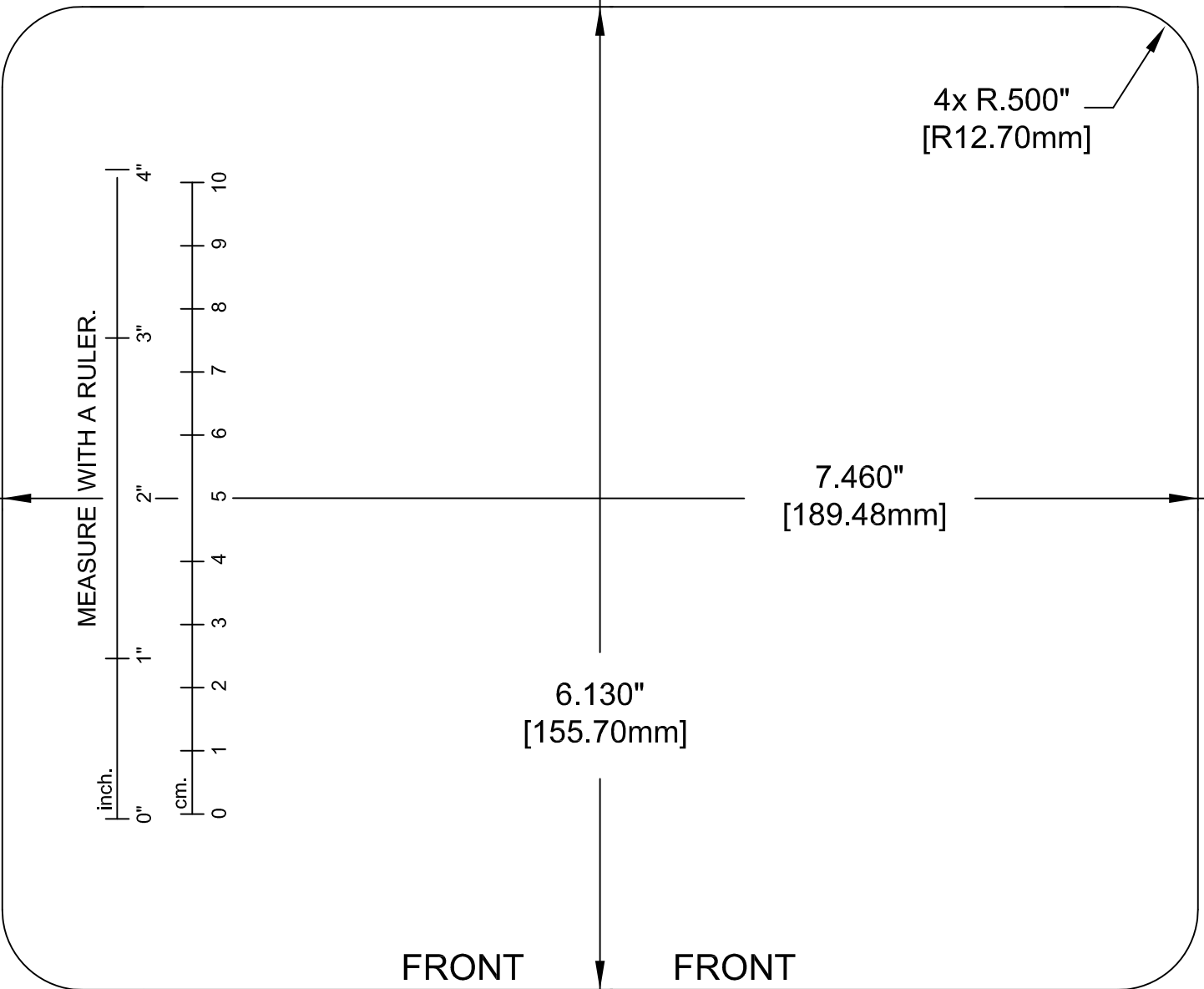
THIS IS A PRECISION CUT-OUT TEMPLATE. DO NOT SCALE OR ADJUST!

2. MEASURE

MEASURE WITH A RULER.

3. CUT

Document p/n:
250-0682-004
Page 1 of 1



ALTINEX, INC. IS NOT RESPONSIBLE FOR ANY DAMAGE TO A TABLE OR DESK.



- ALTINEX, INC. MODEL NUMBERS:
- | | | | |
|--------|---------|--------|---------|
| TNP510 | TNP510C | PNP400 | PNP400C |
| TNP520 | TNP520C | PNP402 | PNP402C |
| TNP528 | TNP528C | CNK200 | CNK200C |
| CNK240 | CNK240C | | |

1. STOP

2. MEASURE

3. CUT